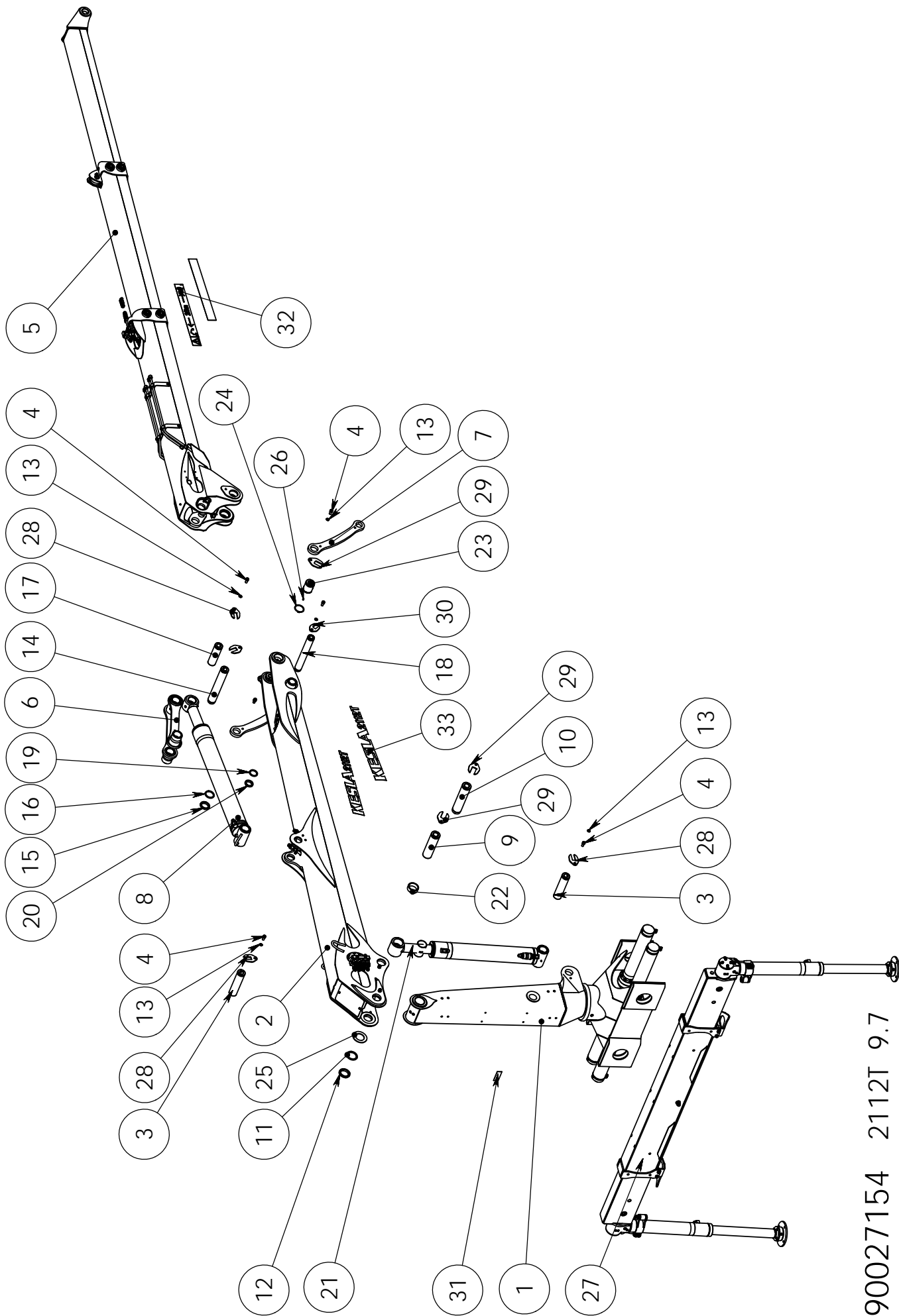


KESLA 2112, 2112T**Sisällysluettelo \ Innehållsförteckning \ Contents \ Inhaltsverzeichnis**

Pääkokoona-pano \ Sammansättning \ Final assembly \ Zusammensetzung	2
Kääntölaite \ Vridanordning \ Slew mechanism \ Schwenkwerk	4
Tukijalkavarustus \ Stödbensutrustning \ Stabilizers \ Stützfußbausrüstung	8
Nostopuomi \ Lyftbom \ Main lifting boom \ Hubarm	10
Siirtopuomisto \ Vipparm KESLA \ Outer boom \ Knickarm	16
Vetotanko varusteltuna \ Dragstång \ Inner link assy \ Mittleres Gelenk	22
Siirtopuomiston ketju \ Kedja \ Chain \ Kette kompl. \ 3x4 (87)	24
Nostosylinteri varusteltuna \ Lyftcylinder utrustning \ Accessories for main lifting cylinder \ Ausrüstung für Hubzylinder	26
Nostosylinteri \ Lyftcylinder \ Main lifting cylinder \ Hubzylinder	28
Siirtosylinteri varusteltuna \ Vippcylinder utrustning \ Accessories for outer boom cylinder \ Ausrüstung für Knickarmzylinder	30
Siirtosylinteri \ Vippcylinder \ Outer boom cylinder \ Knickarmzylinder	32
Jatkeen sylinteri \ Utskjutscylinder \ Extension cylinder \ Ausschubzylinder \	34
Tukijalkojen levityssylinteri \ Spridningscylinder \ Spreading cylinder \ Ausshubzylinder für Stützfüsse	36
Tukijalan sylinteri \ Stödbenscylinder \ Stabilizer cylinder \ Stützfußcylinder	38





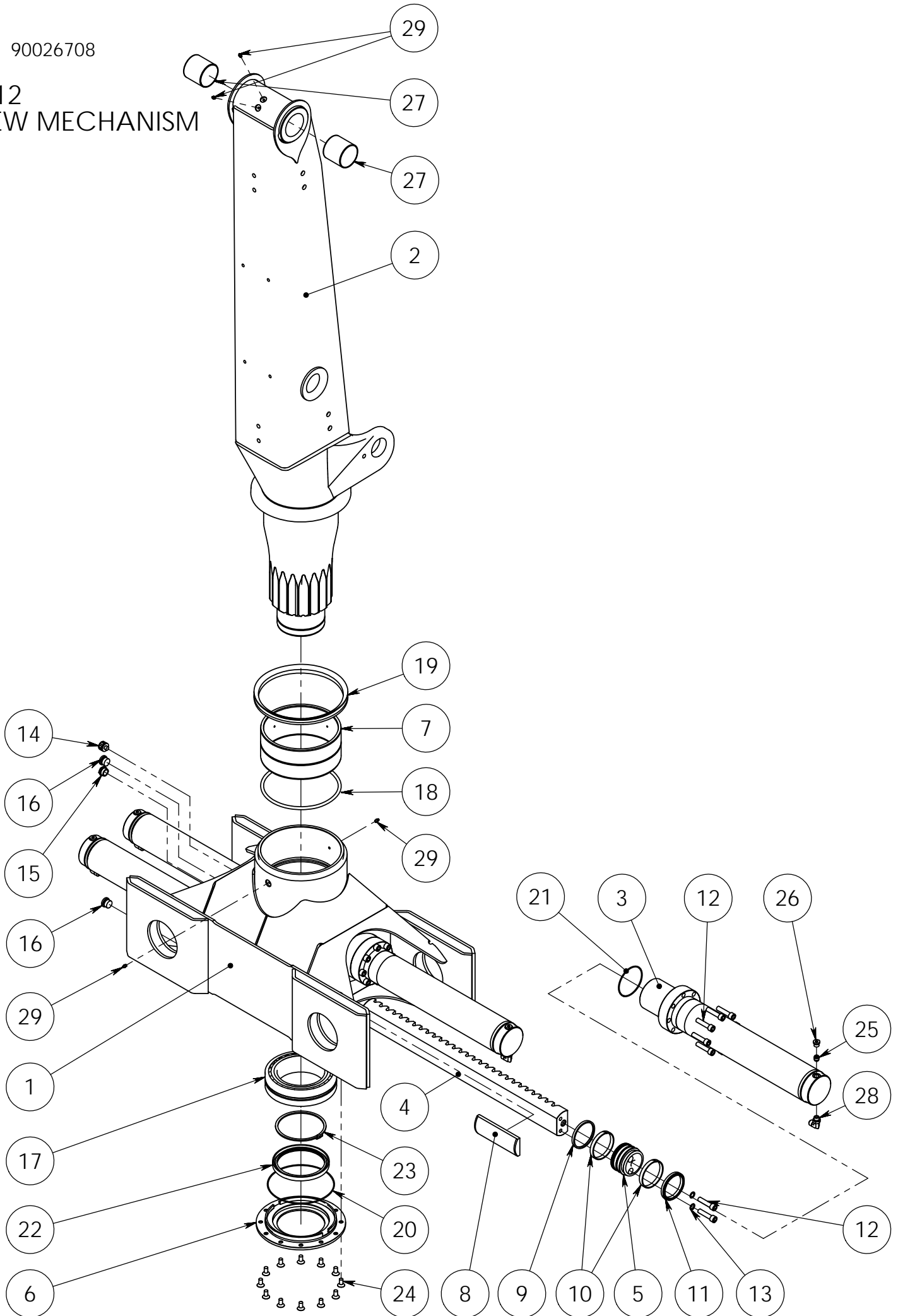
SPARE PART LIST

Item code	90027154	Revision	-
Title	CRANE	Date	30.07.2014
Specification	2112T		

Pos	Item code	Title	Specification	Pc	Nto Weight
1	90026708	SLEW MECHANISM	28 KNM	1	656,9
2	90026723	LIFT BOOM	L=4050 VAR	1	323,67
3	90026055	AXLE	70-285	2	6,21
4	3010700	ALLEN SCREW	M16X30 8.8ZN DIN 912	9	0
5	90026753	OUTER BOOM	L=5810 2-JATK	1	389,35
6	90026176	DRAW BAR	VAR	1	24,37
7	90026139	LINK	HITS + KON	2	8,49
8	90026748	OUTER BOOM CYLINDER	140/90 X 1036 SIIRTOSYLINTERI 2112	1	99,2
9	90026184	AXLE	80-285	1	7,92
10	90026247	AXLE	80-350	1	9,62
11	90013697	WASHER	100/81-6	1	0,13
12	3020158	NUT	KM15 NYLOC M75X2	1	0,35
13	3030150	WASHER	M16 NORD LOCK	9	0,01
14	90026251	AXLE	70-444	1	9,63
15	3020157	NUT	KM13 NYLOC M65X2.0	1	0,26
16	90016000	WASHER	85/71-6	1	0,08
17	90026253	AXLE	70-237	1	5,14
18	90026255	AXLE	60-444	1	7,05
19	90013698	WASHER	75/61-6	1	0,07
20	3020164	NUT	KM11 NYLOC M55X2.0	1	0,17
21	90026712	CYLINDER	130/80 X 810 NOSTOSYLINTERI 2112	1	77,88
22	90026222	SLEEVE	95/81-35	2	0,53
23	90026249	AXLE	80-99	2	3,02
24	3060094	SNAP RING	80X4 DIN471	2	0
25	90010011	BEARING	130/80.5 - 5	2	0,05
26	3050003	GREASE NIPPLE	M8X1,25 DIN 71412	4	0
27	90025363	STABILIZER	TILT STANDARD	1	14,02
28	90026056	PLATE	PAATYLEVY 70	4	0,37
29	90026185	PLATE	PAATYLEVY 80	4	0,45
30	90026256	PLATE	PAATYLEVY 60	1	0,29
31	3281642	PLATE	120X45 CE	1	0,03
32	3281135	DECAL	VAARA-ALUE 25 M, 730X80	2	0,1
33	3281639	DECAL	KESLA 2112T	2	0,06

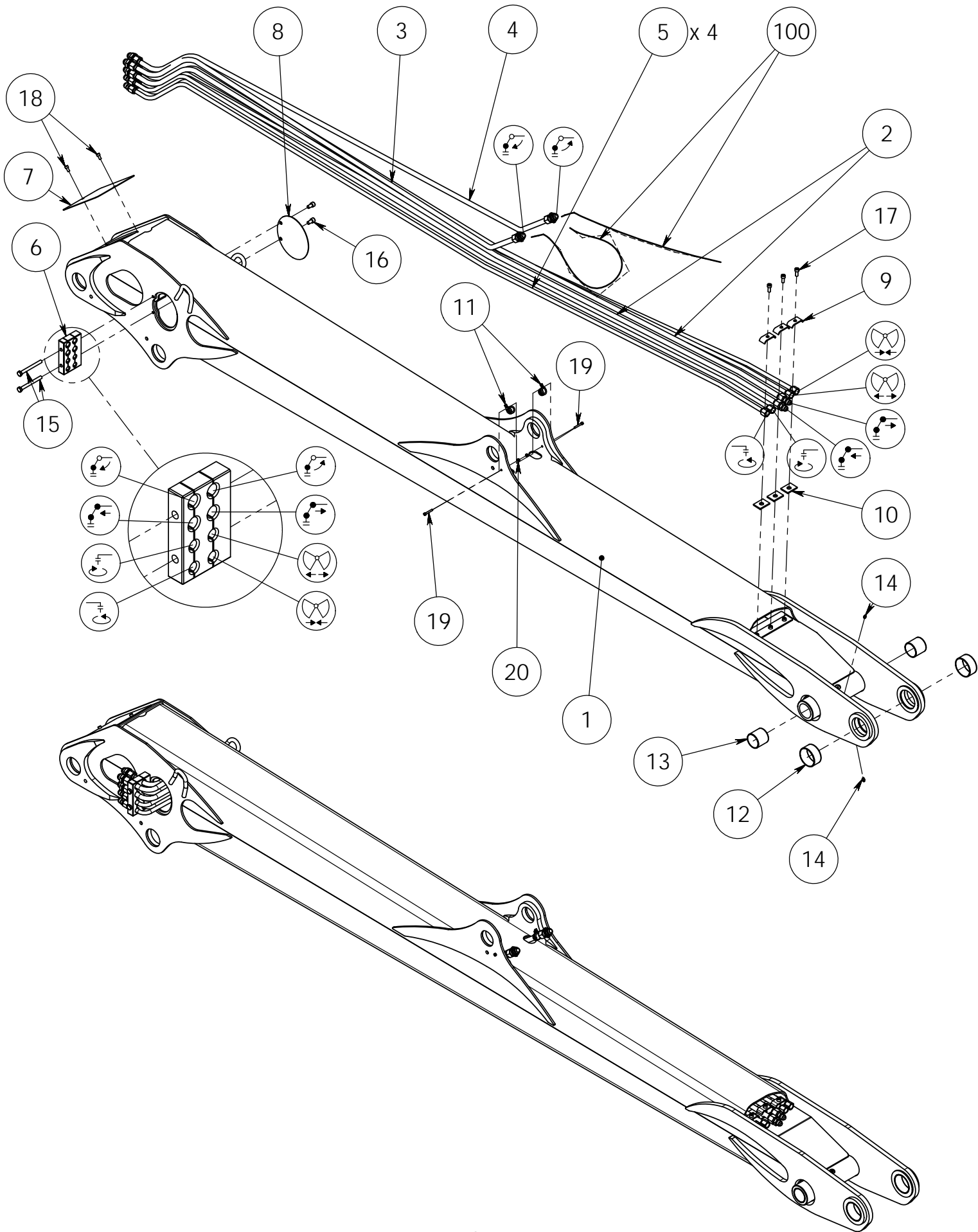
90026708

2112 SLEW MECHANISM



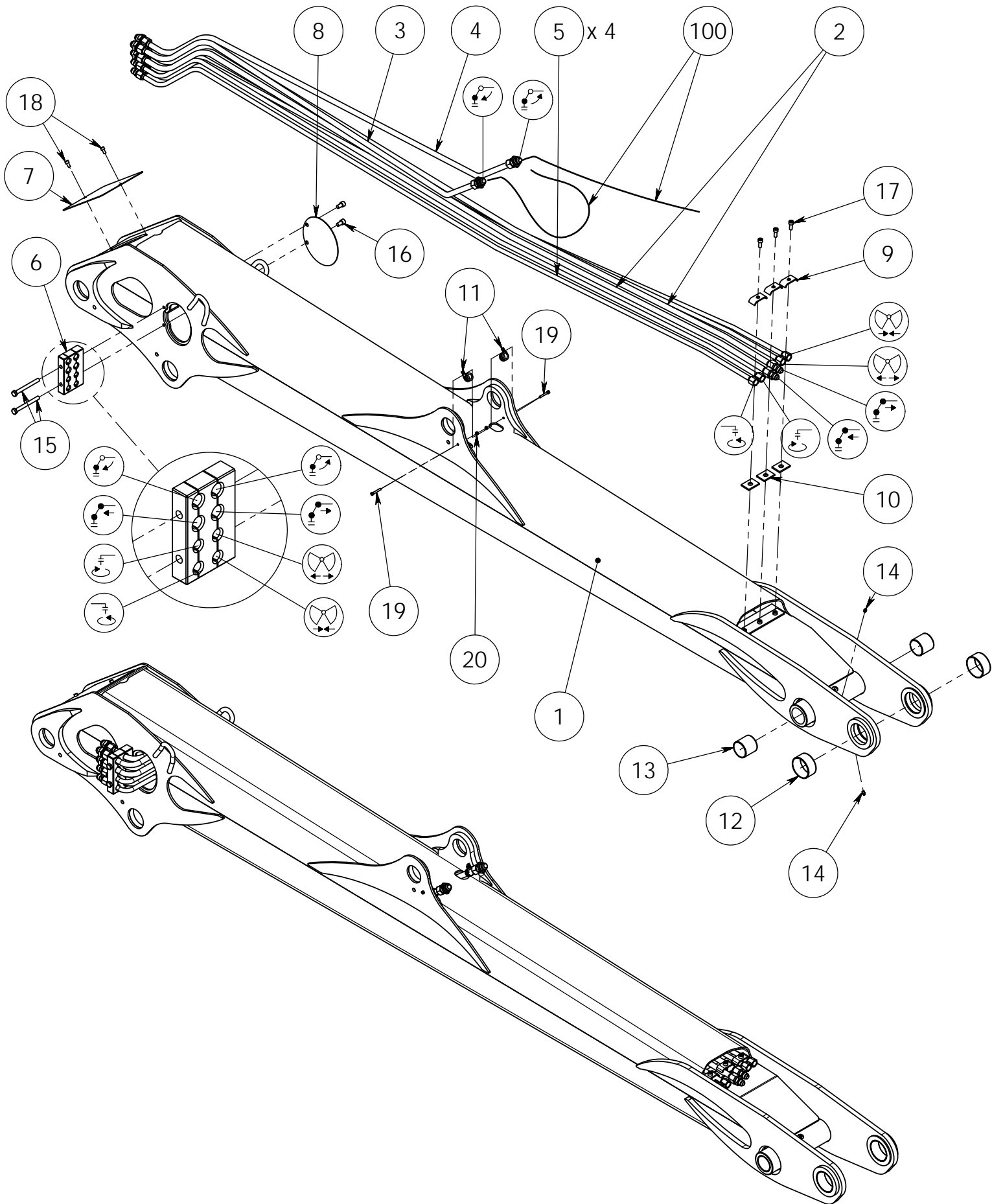
Item code	90026708	Revision	C
Title	SLEW MECHANISM	Date	06.11.2013
Specification	28 KNM		

Pos	Item code	Title	Specification	Pc	Nto Weight
1	90027090	FRAME	HITS+KON VAIHE 2	1	218.12
2	90026697	PILLAR	HITS+KON	1	276.39
3	90026710	CYLINDER	D=100 L=798	4	19.57
4	90026705	RACK BAR	93-920	2	26.03
5	90025499	PISTON	D=100	4	2.77
6	90020924	FLANGE		1	4.61
7	90014957	BUSHING	270/250-120	1	1.11
8	90025511	BUSHING	22X70-193	2	0.3
9	3110530	WIPER SEAL	PPW 100/91.4X5.3	4	0.06
10	3110072	PISTON GUIDE	E/PWR 100/94X13	8	0.09
11	3110529	PISTON SEAL	B7 100/85X12	4	0.18
12	3010601	ALLEN SCREW	M14X60 12.9 DIN 912	40	0
13	3030080	WASHER	M14 KUPARIALUSLEVY	8	0
14	3091042	BREATHER		1	0.11
15	3090294	OIL LEVEL INDICATOR		1	0.01
16	3090209	PLUG		2	0.08
17	3100247	ROLLER BEARING	23032 CC/W33	1	9.05
18	3110987	O-RING	260X10 NBR70	1	0.5
19	3110930	SEAL	VA-300	1	1.63
20	3110771	O-RING	219.5X3.0 70 SHORE	1	0.04
21	3110659	O-RING	106X3 70 SHORE	4	0.02
22	3110878	SHAFT SEAL	160/190X15 AS	1	0.53
23	3060050	SNAP RING	160X4 DIN 471	1	0
24	3010315	ALLEN SCREW	M12X25 10.9 ZN DIN 7991	12	0
25	3120363	CHECK VALVE		4	0.02
26	3090210	PLUG		4	0.03
27	3100187	BUSHING	WB 802 8080	2	0.41
28	3090630	CONNECTOR (ANGLE)	6310-06-08	4	0.1
29	3050003	GREASE NIPPLE	M8X1,25 DIN 71412	4	0
50	3111098	SEAL KIT	D=100	1	0



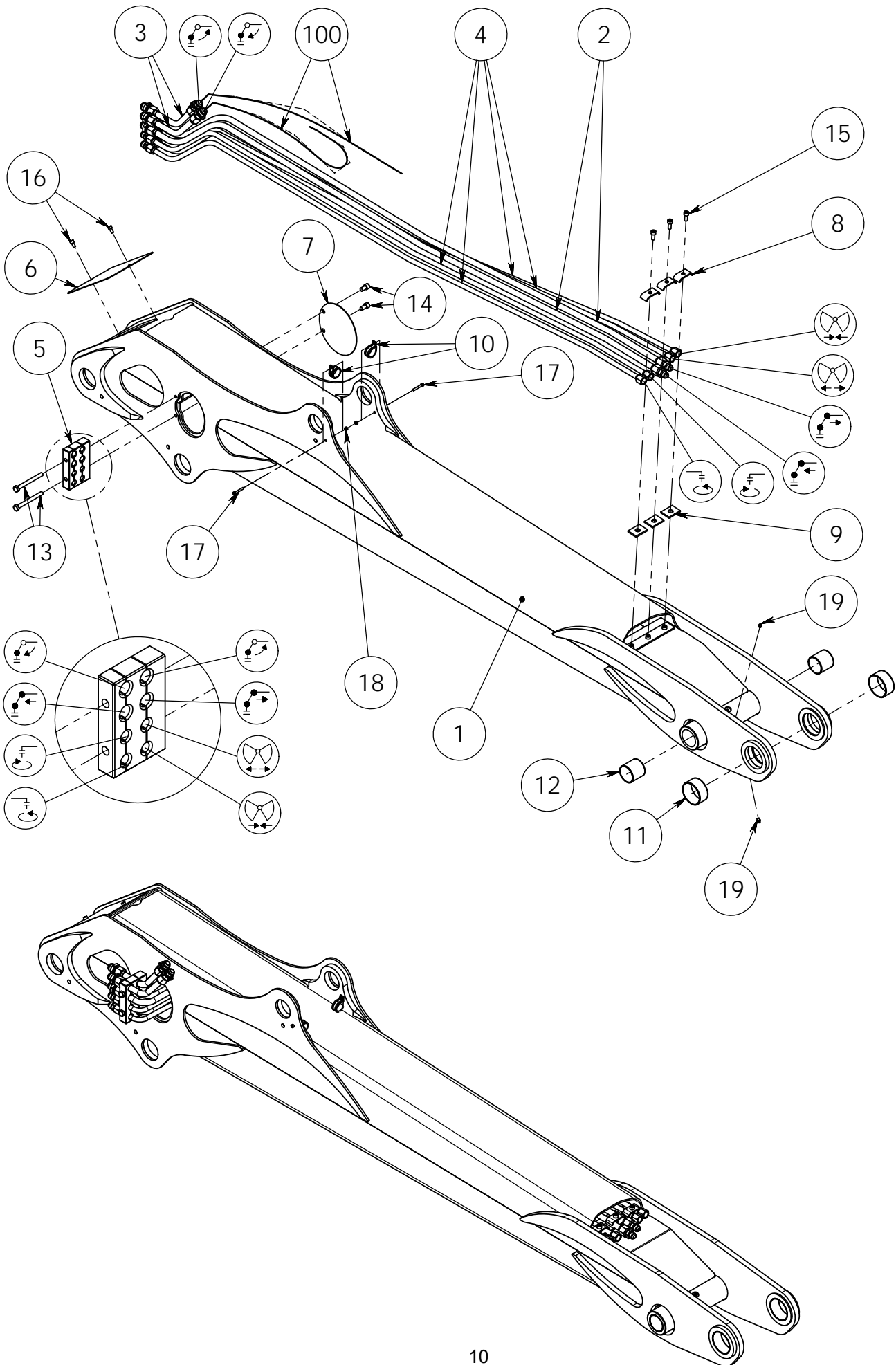
Item code	90026777	Revision	-
Title	LIFT BOOM	Date	08.01.2014
Specification	L=4550 VAR		

Pos	Item code	Title	Specification	Pc	Nto Weight
1	90026778	LIFT BOOM	L=4550	1	322.36
2	90026447	HYDRAULIC PIPE	1 OIKEA KOK	2	4.51
3	90026449	HYDRAULIC PIPE	2 OIKEA KOK	1	3.06
4	90026451	HYDRAULIC PIPE	3 VASEN KOK	1	3.06
5	90026453	HYDRAULIC PIPE	4 KOK	4	2.8
6	90026188	FASTENER	2109, 2110, 2112	1	1.11
7	90023441	COVER		1	0.76
8	90025045	COVER		1	0.44
9	90010442	FASTENER	LT4X30-72	3	0.07
10	90010443	RUBBER	5X55-40	3	0.01
11	3090162	CONNECTOR		2	0.04
12	3100258	BUSHING	WB 802 8040	2	0.2
13	3100194	BUSHING	WB 802 6060	2	0.23
14	3050003	GREASE NIPPLE	M8X1,25 DIN 71412	2	0
15	3010122	HEW SCREW	M12X120 8.8 ZN DIN 931	2	0
16	3010604	ALLEN SCREW	M12X20 8.8 DIN 912	2	0
17	3010685	ALLEN SCREW	M10X25 8.8 ZN DIN 912	3	0
18	3010292	ALLEN SCREW	M8X16 8.8 ZN DIN 912	2	0
19	3010583	ALLEN SCREW	M6X40 8.8 ZN DIN 912	2	0
20	3020061	NUT	M6 ZN DIN 985	2	0
100	3133314	HYDRAULIC HOSE	A50064-12-12/712L-12/A50005-12-12/L=920	2	0



Item code	90026723	Revision	-
Title	LIFT BOOM	Date	14.11.2013
Specification	L=4050 VAR		

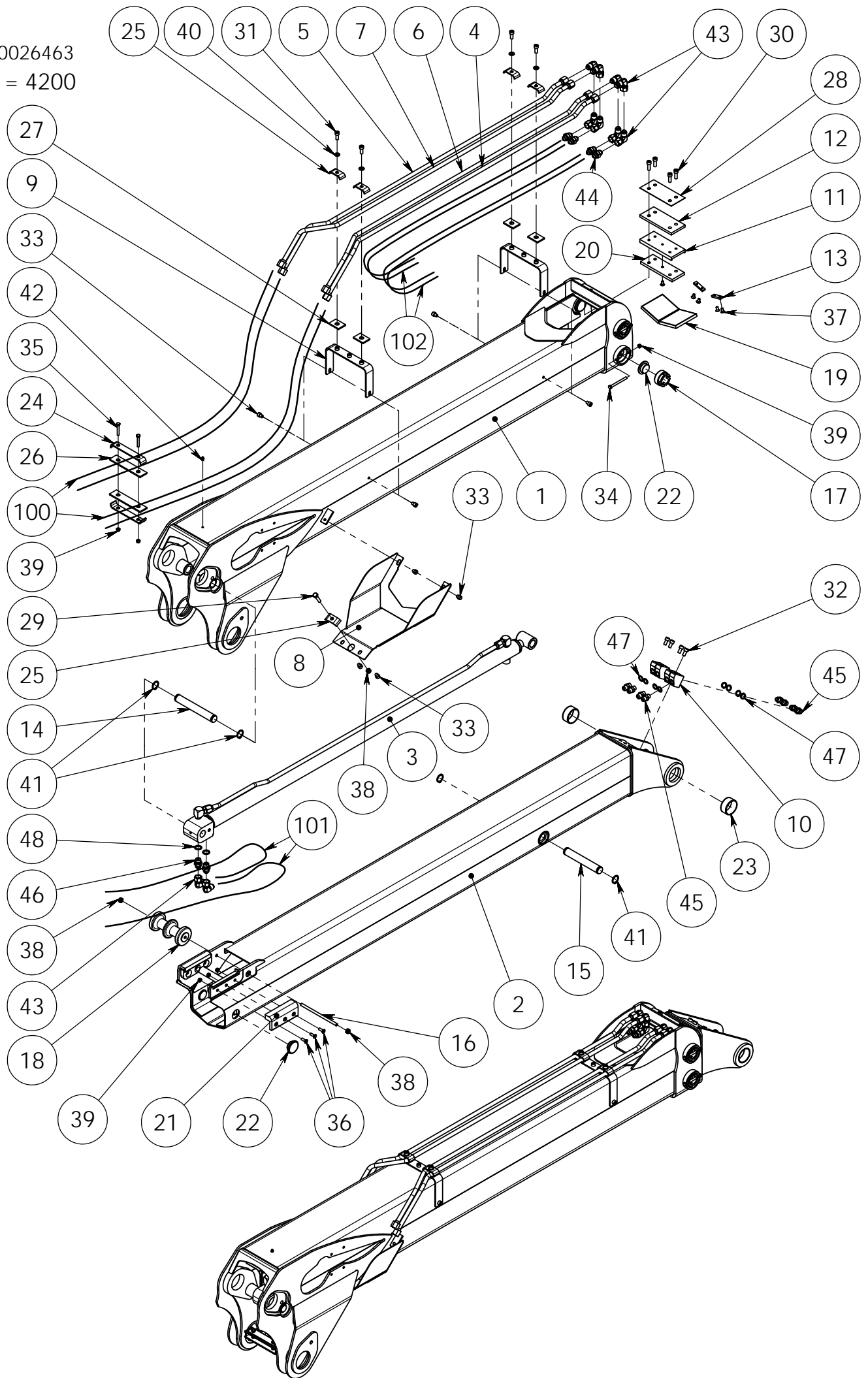
Pos	Item code	Title	Specification	Pc	Nto Weight
1	90026724	LIFT BOOM	L=4050	1	297.36
2	90026218	HYDRAULIC PIPE	1 KOK	2	3.97
3	90026201	HYDRAULIC PIPE	2 OIKEA KOK	1	2.52
4	90026405	HYDRAULIC PIPE	3 VASEN KOK	1	2.52
5	90026221	HYDRAULIC PIPE	4 KOK	4	2.46
6	90026188	FASTENER	2109, 2110, 2112	1	1.11
7	90023441	COVER		1	0.76
8	90025045	COVER		1	0.44
9	90010442	FASTENER	LT4X30-72	3	0.07
10	90010443	RUBBER	5X55-40	3	0.01
11	3090162	CONNECTOR		2	0.04
12	3100258	BUSHING	WB 802 8040	2	0.2
13	3100194	BUSHING	WB 802 6060	2	0.23
14	3050003	GREASE NIPPLE	M8X1,25 DIN 71412	2	0
15	3010122	HEW SCREW	M12X120 8.8 ZN DIN 931	2	0
16	3010604	ALLEN SCREW	M12X20 8.8 DIN 912	2	0
17	3010685	ALLEN SCREW	M10X25 8.8 ZN DIN 912	3	0
18	3010292	ALLEN SCREW	M8X16 8.8 ZN DIN 912	2	0
19	3010583	ALLEN SCREW	M6X40 8.8 ZN DIN 912	2	0
20	3020061	NUT	M6 ZN DIN 985	2	0
100	3133314	HYDRAULIC HOSE	A50064-12-12/712L-12/A50005-12-12/L=920	2	0



Item code	90026787	Revision	-
Title	LIFT BOOM	Date	13.01.2014
Specification	L=3150 VAR		

Pos	Item code	Title	Specification	Pc	Nto Weight
1	90026788	LIFT BOOM	L=3250	1	256.84
2	90026814	HYDRAULIC PIPE	1 OIKEA KOK	2	3.11
3	90026816	HYDRAULIC PIPE	2 KOK	2	0.78
4	90026818	HYDRAULIC PIPE	3 OIKEA KOK	4	1.9
5	90026188	FASTENER	2109, 2110, 2112	1	1.11
6	90023441	COVER		1	0.76
7	90025045	COVER		1	0.44
8	90010442	FASTENER	LT4X30-72	3	0.07
9	90010443	RUBBER	5X55-40	3	0.01
10	3091521	CONNECTOR		2	0.05
11	3100258	BUSHING	WB 802 8040	2	0.2
12	3100194	BUSHING	WB 802 6060	2	0.23
13	3010122	HEW SCREW	M12X120 8.8 ZN DIN 931	2	0
14	3010604	ALLEN SCREW	M12X20 8.8 DIN 912	2	0
15	3010685	ALLEN SCREW	M10X25 8.8 ZN DIN 912	3	0
16	3010292	ALLEN SCREW	M8X16 8.8 ZN DIN 912	2	0
17	3010583	ALLEN SCREW	M6X40 8.8 ZN DIN 912	2	0
18	3020061	NUT	M6 ZN DIN 985	2	0
19	3050003	GREASE NIPPLE	M8X1,25 DIN 71412	2	0
100	3133435	HYDRAULIC HOSE	A50064-12-12/712L-12/A50005-12-12/L=1620	2	0

90026463
L = 4200



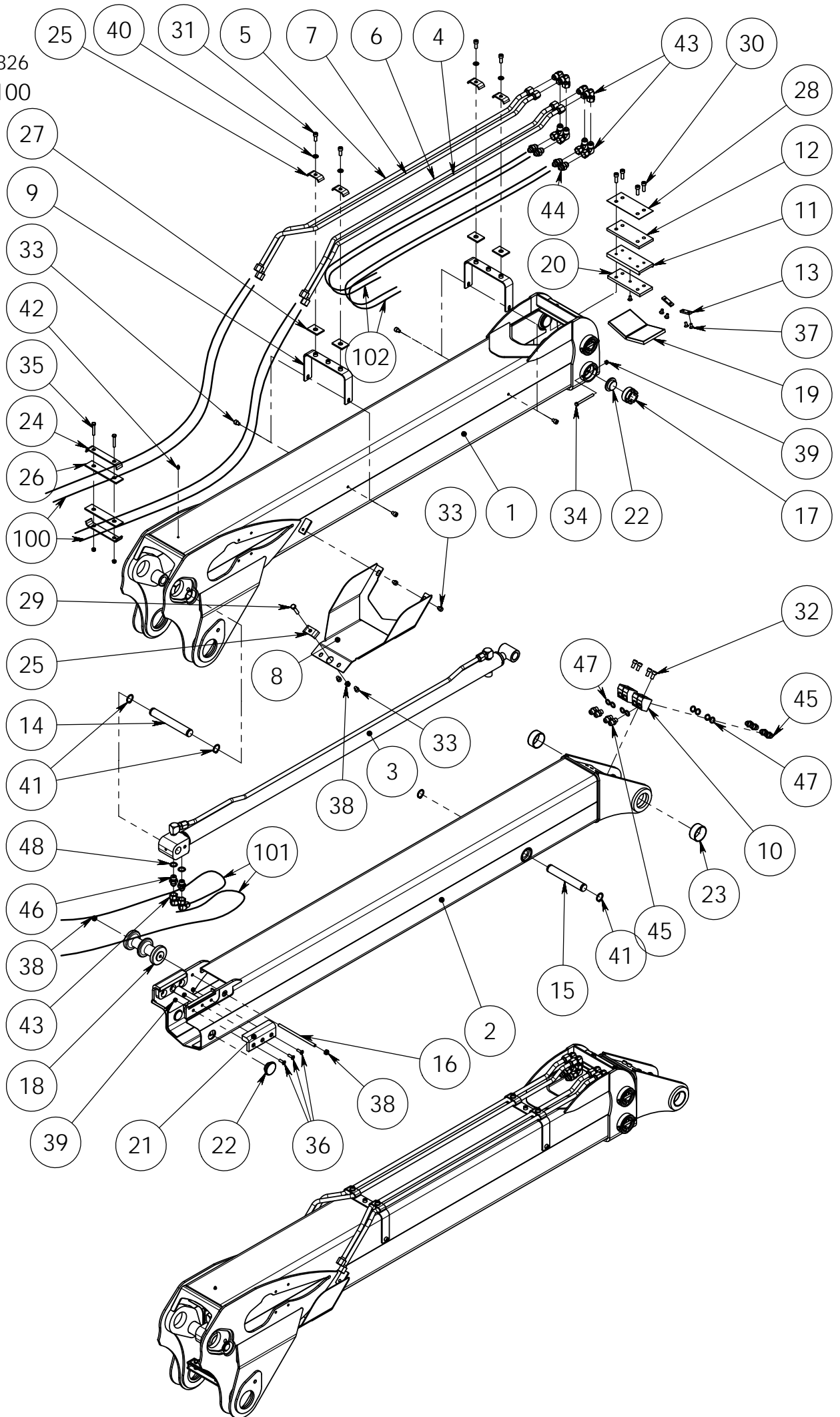
Item code	90026463	Revision	D
Title	OUTER BOOM	Date	03.07.2013
Specification	L= 4200 1-JATK		

Pos	Item code	Title	Specification	Pc	Nto Weight
1	90026456	OUTER BOOM	L=2340	1	138.23
2	90026467	EXTENSION	L= 2650	1	83.44
3	28965001	EXTENSION CYLINDER	50/30X1600	1	29.31
4	90026488	PIPE	1 OIKEA KOK	1	1.28
5	90026492	PIPE	1 VASEN KOK	1	1.28
6	90026490	PIPE	2 OIKEA KOK	1	1.28
7	90026494	PIPE	2 VASEN KOK	1	1.28
8	90026361	COVER	HITS	1	3.4
9	90025729	FASTENER	L=224 HITS ZN	2	0.61
10	90026319	CONNECTOR	R 3/8"	4	0.42
11	90020556	FASTENER	L-180	1	1.18
12	90023238	PLATE		1	1.09
13	90010345	HOLDER		2	0.03
14	90017084	AXLE	30-214	1	1.18
15	90021934	AXLE	30X196	1	1.08
16	90026498	PIN BOLT	M10 - 203	1	0.12
17	90016090	FASTENER		4	0.35
18	90026482	ROLL	L = 170	1	0.42
19	90020562	GLIDE PAD	120X100	2	0.17
20	90020563	GLIDE PAD	70X180	1	0.17
21	90026500	GLIDE PAD	L=150	2	0.2
22	90011001	GLIDE PAD	D=55-19/7	6	0.03
23	3100225	BUSHING	WB 802 6030	2	0.11
24	21039336	PIPE CLAMP	LT4X30-191 ZN	2	0.17
25	90010442	FASTENER	LT4X30-72 ZN	5	0.07
26	90019549	RUBBER	5X40-175	2	0.26
27	90010443	RUBBER	5X55-40	4	0.01
28	90020567	PLATE	80X180	1	0.11
29	3010159	HEW SCREW	M10X45 8.8 ZN DIN 931	1	0
30	3010248	ALLEN SCREW	M10X30 8.8 ZN DIN 912	4	0
31	3010685	ALLEN SCREW	M10X25 8.8 ZN DIN 912	4	0
32	3010192	ALLEN SCREW	M10X20 8.8 ZN DIN 912	4	0
33	3010297	ALLEN SCREW	M10X12 8.8 ZN DIN 912	8	0
34	3010328	HEW SCREW	M8X90 8.8 ZN DIN 931	4	0
35	3010072	HEW SCREW	M8X50 8.8 ZN DIN 931	2	0
36	3010300	ALLEN SCREW	M8X25 10.9 ZN DIN 7991	6	0

Item code	90026463	Revision	D
Title	OUTER BOOM	Date	03.07.2013
Specification	L= 4200 1-JATK		

Pos	Item code	Title	Specification	Pc	Nto Weight
37	3010190	ALLEN SCREW	M8X16 10.9 DIN 7991	5	0
38	3020004	NUT	M10 ZN DIN 985	3	0.01
39	3020001	NUT	M8 ZN DIN 985	12	0.01
40	3030003	WASHER	M10/11 ZN DIN 126	4	0
41	3060092	SNAP RING	AS 30X2 ZN DIN 471	4	0
42	3050003	GREASE NIPPLE	M8X1,25 DIN 71412	1	0
43	3091183	CONNECTOR	1130-10-10	10	0.19
44	3090907	CONNECTOR	1010-08-10	4	0.1
45	3090604	CONNECTOR	6010-06-08	8	0.07
46	3090289	CONNECTOR	29-6010-08-10	2	0.11
47	3110040	USIT-SEAL	R-06 R 3/8"	8	0
48	3110042	USIT-SEAL	R-08 R 1/2"	2	0.01
100	3133306	HYDRAULIC HOSE	500200-10-08/241T-08/500200-10-08/L=1300	4	0
101	3133317	HYDRAULIC HOSE	A50005-10-08/241T-08/A50005-10-08/L=1400	2	0
102	3133342	HYDRAULIC HOSE	A50005-08-06/23-111-06/A50005-08-06/L=4600	2	0

90026826
L = 4100



Item code	90026826	Revision	B
Title	OUTER BOOM	Date	31.01.2014
Specification	L= 4100 1-JATK		

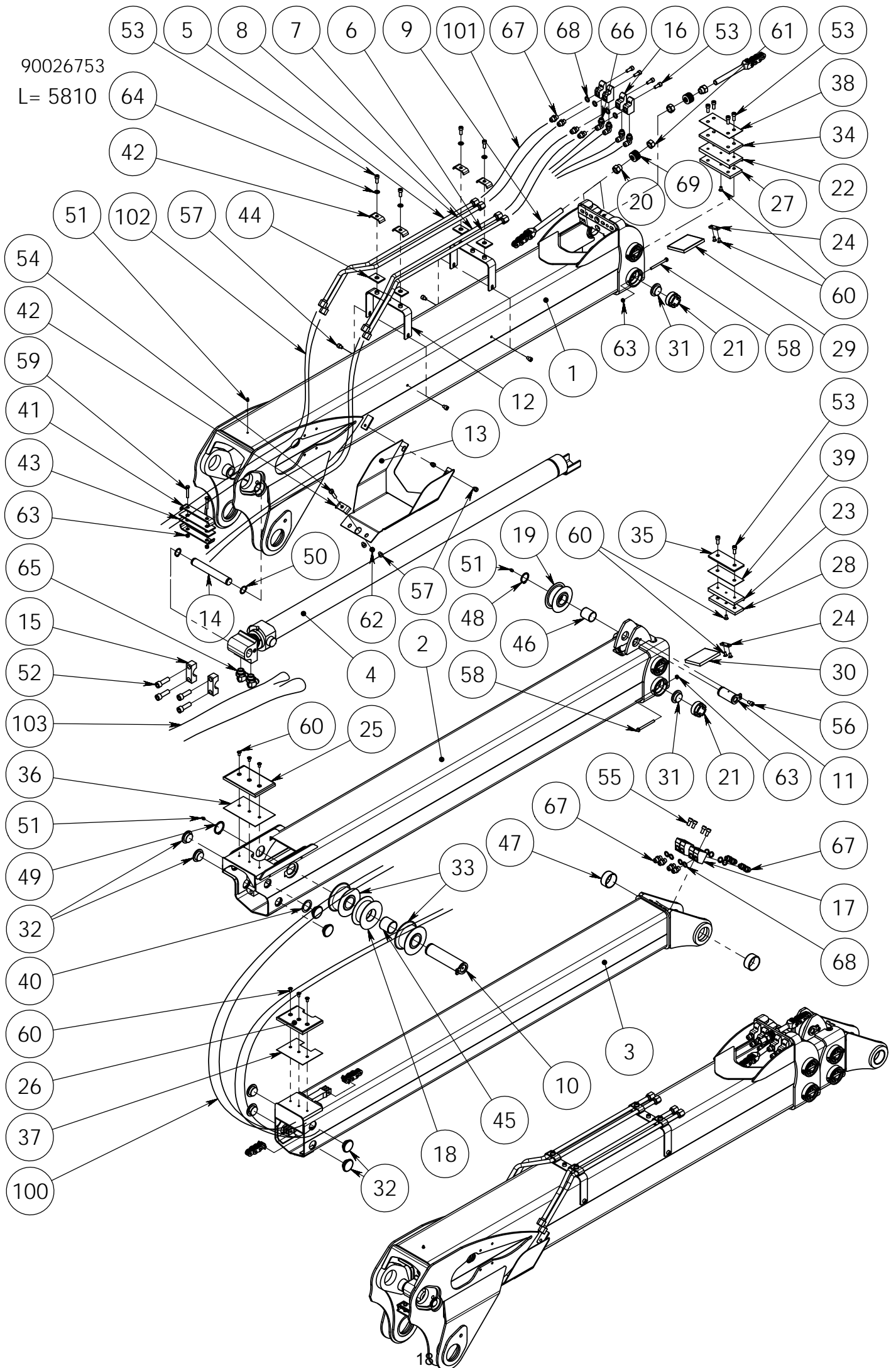
Pos	Item code	Title	Specification	Pc	Nto Weight
1	90026827	OUTER BOOM	L=2240	1	134.89
2	90026828	EXTENSION	L= 2550	1	80.91
3	28965001	EXTENSION CYLINDER	50/30X1600	1	29.31
4	90026833	PIPE	1 OIKEA (L=1547) KOK	1	1.21
5	90026835	PIPE	1 VASEN (L=1547) KOK	1	1.21
6	90026837	PIPE	2 OIKEA (L=1547) KOK	1	1.21
7	90026839	PIPE	2 VASEN (L=1547) KOK	1	1.21
8	90026361	COVER	HITS	1	3.4
9	90025729	FASTENER	L=224 HITS ZN	2	0.61
10	90026319	CONNECTOR	R 3/8"	4	0.42
11	90020556	FASTENER	L-180	1	1.18
12	90023238	PLATE		1	1.09
13	90010345	HOLDER		2	0.03
14	90017084	AXLE	30-214	1	1.18
15	90021934	AXLE	30X196	1	1.08
16	90026498	PIN BOLT	M10 - 203	1	0.12
17	90016090	FASTENER		4	0.35
18	90026482	ROLL	L = 170	1	0.42
19	90020562	GLIDE PAD	120X100	2	0.17
20	90020563	GLIDE PAD	70X180	1	0.17
21	90026500	GLIDE PAD	L=150	2	0.2
22	90011001	GLIDE PAD	D=55-19/7	6	0.03
23	3100225	BUSHING	WB 802 6030	2	0.11
24	21039336	PIPE CLAMP	LT4X30-191 ZN	2	0.17
25	90010442	FASTENER	LT4X30-72 ZN	5	0.07
26	90019549	RUBBER	5X40-175	2	0.26
27	90010443	RUBBER	5X55-40	4	0.01
28	90020567	PLATE	80X180	1	0.11
29	3010159	HEW SCREW	M10X45 8.8 ZN DIN 931	1	0
30	3010248	ALLEN SCREW	M10X30 8.8 ZN DIN 912	4	0
31	3010685	ALLEN SCREW	M10X25 8.8 ZN DIN 912	4	0
32	3010192	ALLEN SCREW	M10X20 8.8 ZN DIN 912	4	0
33	3010297	ALLEN SCREW	M10X12 8.8 ZN DIN 912	8	0
34	3010328	HEW SCREW	M8X90 8.8 ZN DIN 931	4	0
35	3010072	HEW SCREW	M8X50 8.8 ZN DIN 931	2	0
36	3010300	ALLEN SCREW	M8X25 10.9 ZN DIN 7991	6	0

Item code	90026826	Revision	B
Title	OUTER BOOM	Date	31.01.2014
Specification	L= 4100 1-JATK		

Pos	Item code	Title	Specification	Pc	Nto Weight
37	3010190	ALLEN SCREW	M8X16 10.9 DIN 7991	5	0
38	3020004	NUT	M10 ZN DIN 985	3	0.01
39	3020001	NUT	M8 ZN DIN 985	12	0.01
40	3030003	WASHER	M10/11 ZN DIN 126	4	0
41	3060092	SNAP RING	AS 30X2 ZN DIN 471	4	0
42	3050003	GREASE NIPPLE	M8X1,25 DIN 71412	1	0
43	3091183	CONNECTOR	1130-10-10	10	0.19
44	3090907	CONNECTOR	1010-08-10	4	0.1
45	3090604	CONNECTOR	6010-06-08	8	0.07
46	3090289	CONNECTOR	29-6010-08-10	2	0.11
47	3110040	USIT-SEAL	R-06 R 3/8"	8	0
48	3110042	USIT-SEAL	R-08 R 1/2"	2	0.01
100	3133306	HYDRAULIC HOSE	500200-10-08/241T-08/500200-10-08/L=1300	4	0
101	3133317	HYDRAULIC HOSE	A50005-10-08/241T-08/A50005-10-08/L=1400	2	0
102	3133440	HYDRAULIC HOSE	A50005-08-06/23-111-06/A50005-08-06/L=4400	2	0

90026753

L= 5810

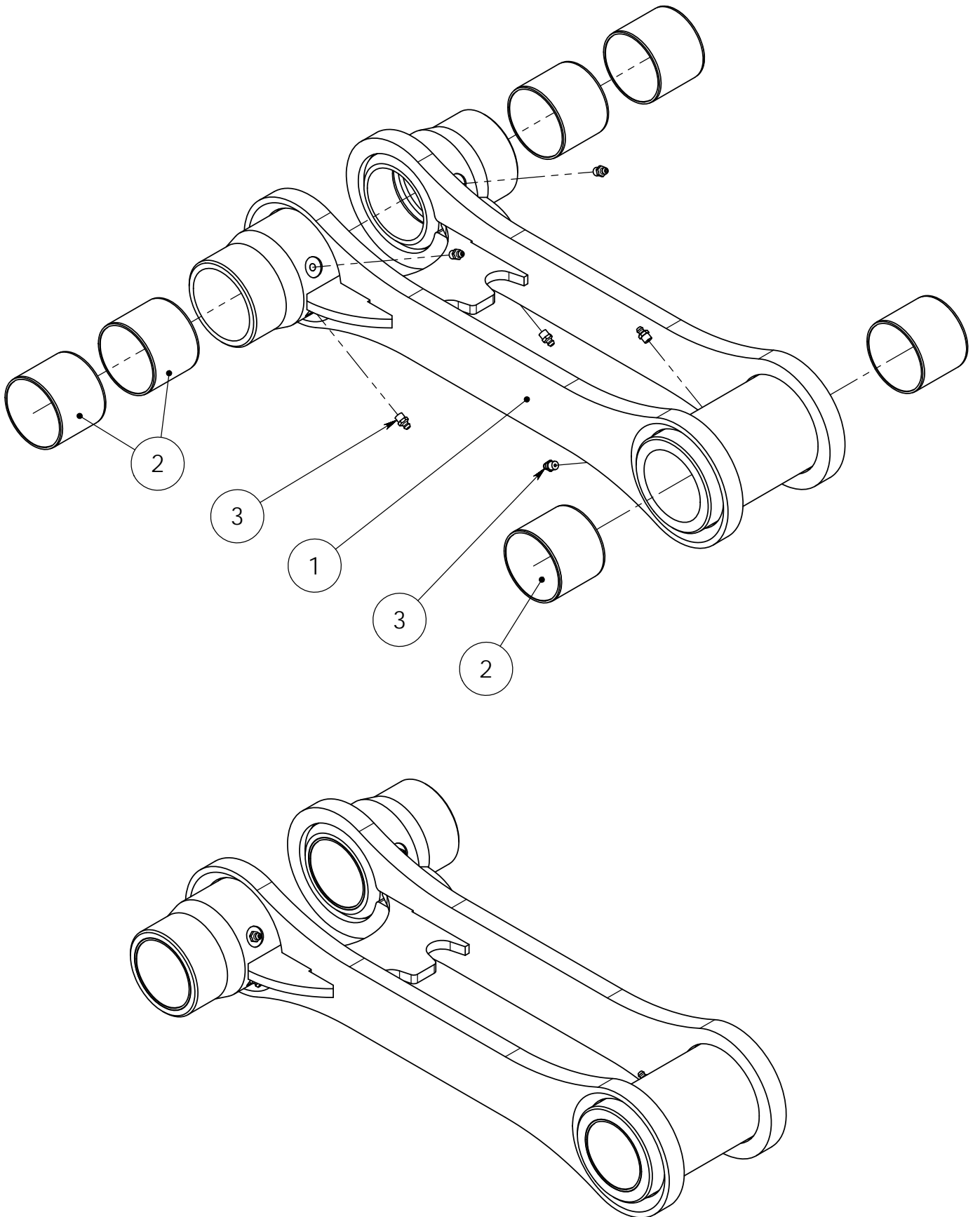


Item code	90026753	Revision	A
Title	OUTER BOOM	Date	16.12.2013
Specification	L=5810 2-JATK		

Pos	Item code	Title	Specification	Pc	Nto Weight
1	90026754	OUTER BOOM	L=2240	1	143.41
2	90026758	EXTENSION 1	L= 2450	1	91.18
3	90026308	EXTENSION	2 HITS	1	68.47
4	28980001	CYLINDER	75/50X1600	1	49.73
5	90026257	PIPE	1 VASEN KOK	1	0.78
6	90026191	PIPE	1 OIKEA KOK	1	0.78
7	90026338	PIPE	2 OIKEA KOK	1	0.78
8	90026340	PIPE	2 VASEN KOK	1	0.78
9	90026335	CHAIN	3X4 (81 LENKKIÄ) KOK	2	0.94
10	90026304	AXLE	50 - 203 HITS	1	3.02
11	90023021	AXLE	40-88	1	0.82
12	90025729	FASTENER	L=224 HITS ZN	2	0.61
13	90026361	COVER	HITS	1	3.4
14	90017084	AXLE	30-214	1	1.18
15	90019106	COVER		2	0.37
16	90023027	CONNECTOR	R 3/8"	4	0.31
17	90026319	CONNECTOR	R 3/8"	4	0.42
18	90026300	WHEEL	100	1	2.61
19	90021697	WHEEL	R1", 3X4, D90	1	1.96
20	90017520	NUT	M20-30	2	0.09
21	90016090	FASTENER		8	0.35
22	90020556	FASTENER	L-180	1	1.18
23	90023050	FASTENER		1	0.77
24	90010345	HOLDER		4	0.03
25	90020561	GLIDE PAD	120X190	1	0.31
26	90014887	GLIDE PAD	120X155	1	0.24
27	90020563	GLIDE PAD	70X180	1	0.17
28	90023052	GLIDE PAD	12X50X155	1	0.08
29	90020562	GLIDE PAD	120X100	2	0.17
30	90014768	GLIDE PAD	12 X 90 X 120	2	0.15
31	90011001	GLIDE PAD	D=55-19/7	8	0.03
32	90010744	GLIDE PAD	55-18/6	8	0.03
33	90026299	ROLL	105	2	0.51
34	90023238	PLATE		1	1.09
35	90023239	PLATE		1	0.43
36	90020566	PLATE	119X190	1	0.18

Item code	90026753	Revision	A
Title	OUTER BOOM	Date	16.12.2013
Specification	L=5810 2-JATK		

Pos	Item code	Title	Specification	Pc	Nto Weight
37	90017085	PLATE	119X155	1	0.13
38	90020567	PLATE	80X180	1	0.11
39	90023240	PLATE	60 X 155	1	0.07
40	21039422	SHIM	1XD=55	1	0.01
41	21039336	PIPE CLAMP	LT4X30-191 ZN	2	0.17
42	90010442	FASTENER	LT4X30-72 ZN	5	0.07
43	90019549	RUBBER	5X40-175	2	0.26
44	90010443	RUBBER	5X55-40	4	0.01
45	3100257	BUSHING	WB 802 5050	1	0.16
46	3100188	BUSHING	WB 802 4050	1	0.1
47	3100225	BUSHING	WB 802 6030	2	0.11
48	3060100	SNAP RING	AS 40X2.5 ZN DIN 471	1	0
49	3060099	SNAP RING	AS 50X3 ZN DIN 471	1	0
50	3060092	SNAP RING	AS 30X2 ZN DIN 471	2	0
51	3050003	GREASE NIPPLE	M8X1,25 DIN 71412	3	0
52	3010301	ALLEN SCREW	M16X50 12.9 DIN 912	4	0
53	3010685	ALLEN SCREW	M10X25 8.8 ZN DIN 912	14	0
54	3010159	HEW SCREW	M10X45 8.8 ZN DIN 931	1	0
55	3010192	ALLEN SCREW	M10X20 8.8 ZN DIN 912	4	0
56	3010898	ALLEN SCREW	M10X16 8.8 ZN DIN 912	1	0
57	3010297	ALLEN SCREW	M10X12 8.8 ZN DIN 912	8	0
58	3010328	HEW SCREW	M8X90 8.8 ZN DIN 931	8	0
59	3010072	HEW SCREW	M8X50 8.8 ZN DIN 931	2	0
60	3010190	ALLEN SCREW	M8X16 10.9 DIN 7991	16	0
61	3020032	NUT	M20 ZN DIN 934/8	2	0
62	3020004	NUT	M10 ZN DIN 985	1	0.01
63	3020001	NUT	M8 ZN DIN 985	10	0.01
64	3030003	WASHER	M10/11 ZN DIN 126	4	0
65	3091465	CONNECTOR	6310-12-10	2	0.3
66	3090630	CONNECTOR (ANGLE)	6310-06-08	4	0.1
67	3090604	CONNECTOR	6010-06-08	12	0.07
68	3110040	USIT-SEAL	R-06 R 3/8"	12	0
69	3300150	SPRING	40X20.4X2.5 SF-TAF DIN 2093	16	0
100	3133303	HYDRAULIC HOSE	A50005-08-06/261E-06/A50005-08-06/L=4200	4	0
101	3132997	HYDRAULIC HOSE	A50005-08-08/241T-08/500200-10-08/L=600	4	
102	3133306	HYDRAULIC HOSE	500200-10-08/241T-08/500200-10-08/L=1300	4	0

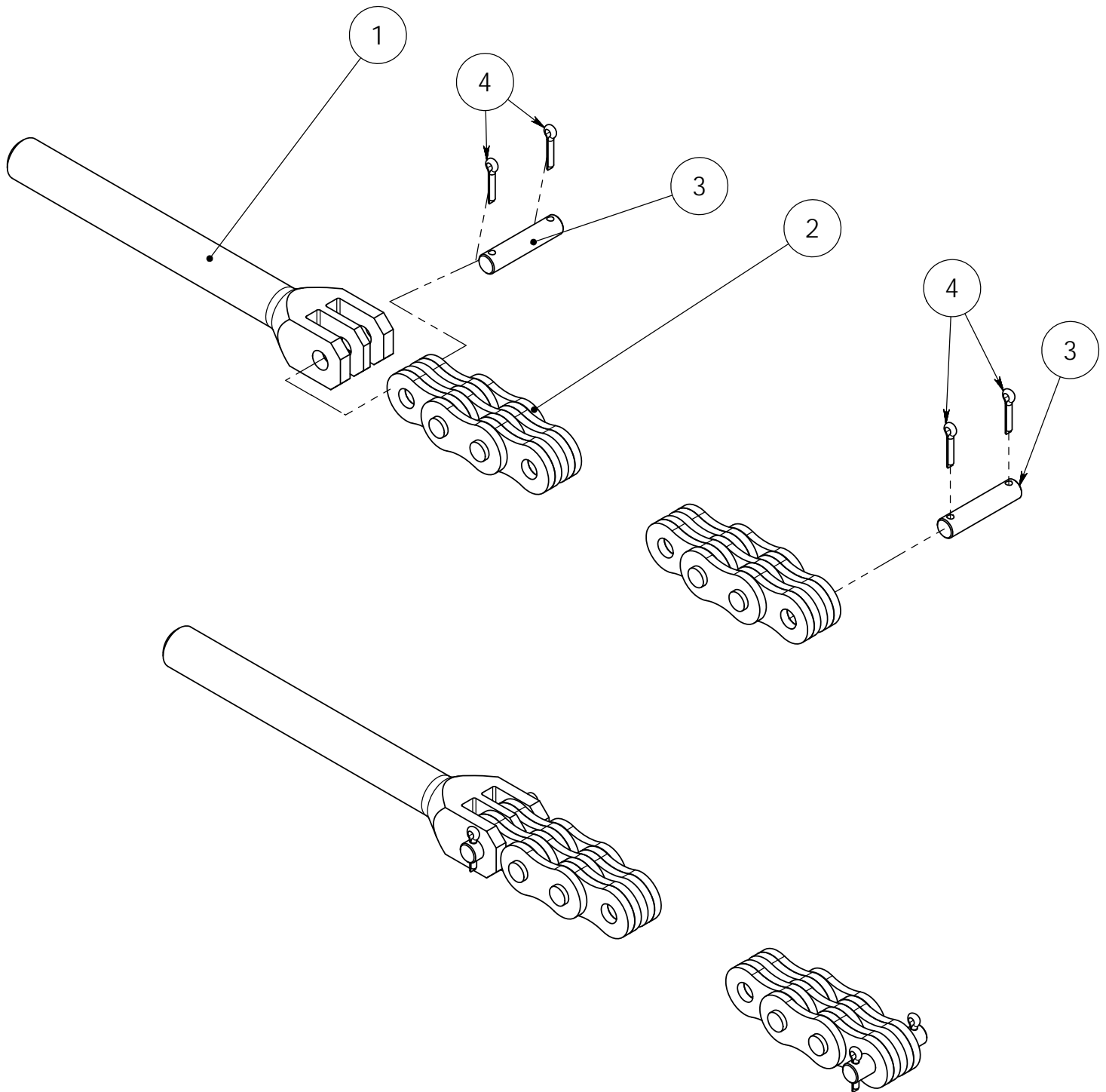


Item code	90026176	Revision	-
Title	DRAW BAR	Date	25.02.2013
Specification	VAR		

Pos	Item code	Title	Specification	Pc	Nto Weight
1	90026147	DRAW BAR	VAR	1	22.75
2	3100185	BUSHING	WB 802 7060	6	0.27
3	3050003	GREASE NIPPLE	M8X1,25 DIN 71412	6	0

90026335

3 x 4/ 87 LINKS

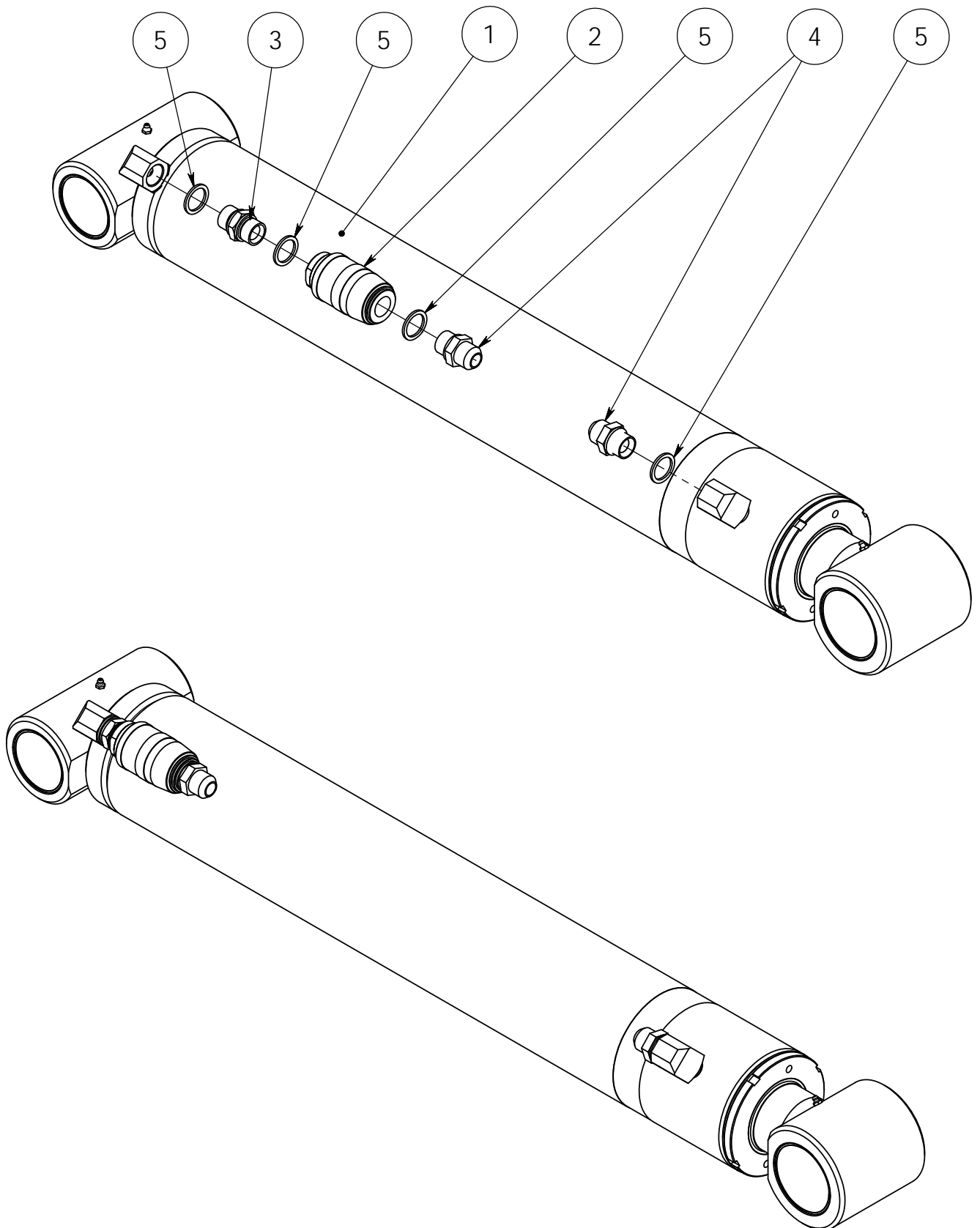


Item code	90026335	Revision	-
Title	CHAIN	Date	24.04.2013
Specification	3X4 (81 LENKKIÄ) KOK		

Pos	Item code	Title	Specification	Pc	Nto Weight
1	90021136	TENSIONER	R 1"	1	0.6
2	3190118	CHAIN	LH1634, DIN8152, R 1" L=2057 81 LENKKIÄ	1	0.33
3	3190184	PIN	LIITINTAPPI D=9,53-43,7 KETJULLE BL834	2	0.02
4	3040060	COTTER PIN	3,2X20 ZN DIN 94	4	0

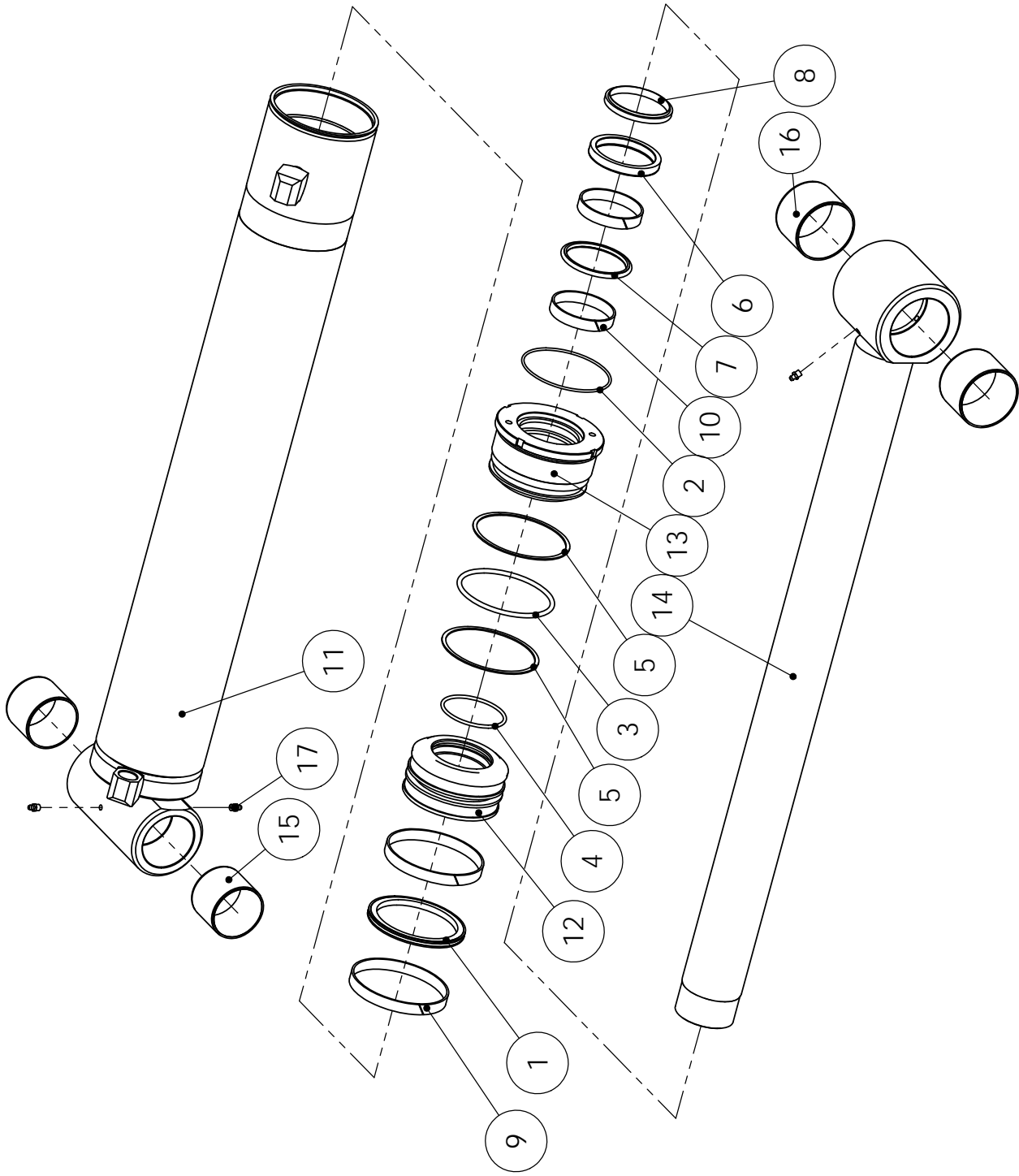
90026712

∅ 130/80x810



Item code	90026712	Revision	-
Title	CYLINDER	Date	07.11.2013
Specification	130/80 X 810 NOSTOSYLINTERI 2112		

Pos	Item code	Title	Specification	Pc	Nto Weight
1	28977001	MAIN LIFTING CYLINDER	130/80X810	1	76.14
2	3120235	CHECK VALVE		1	1.24
3	3090185	CONNECTOR (STRAIGHT)	04000-12	1	0.14
4	3090918	CONNECTOR (STRAIGHT)	R 3/4" -1 1/16" JIC 26-04001-12-12	2	0.16
5	3110130	USIT-SEAL	R-12 R 3/4"	4	0.01



28977001 NOSTOSYLINTERI



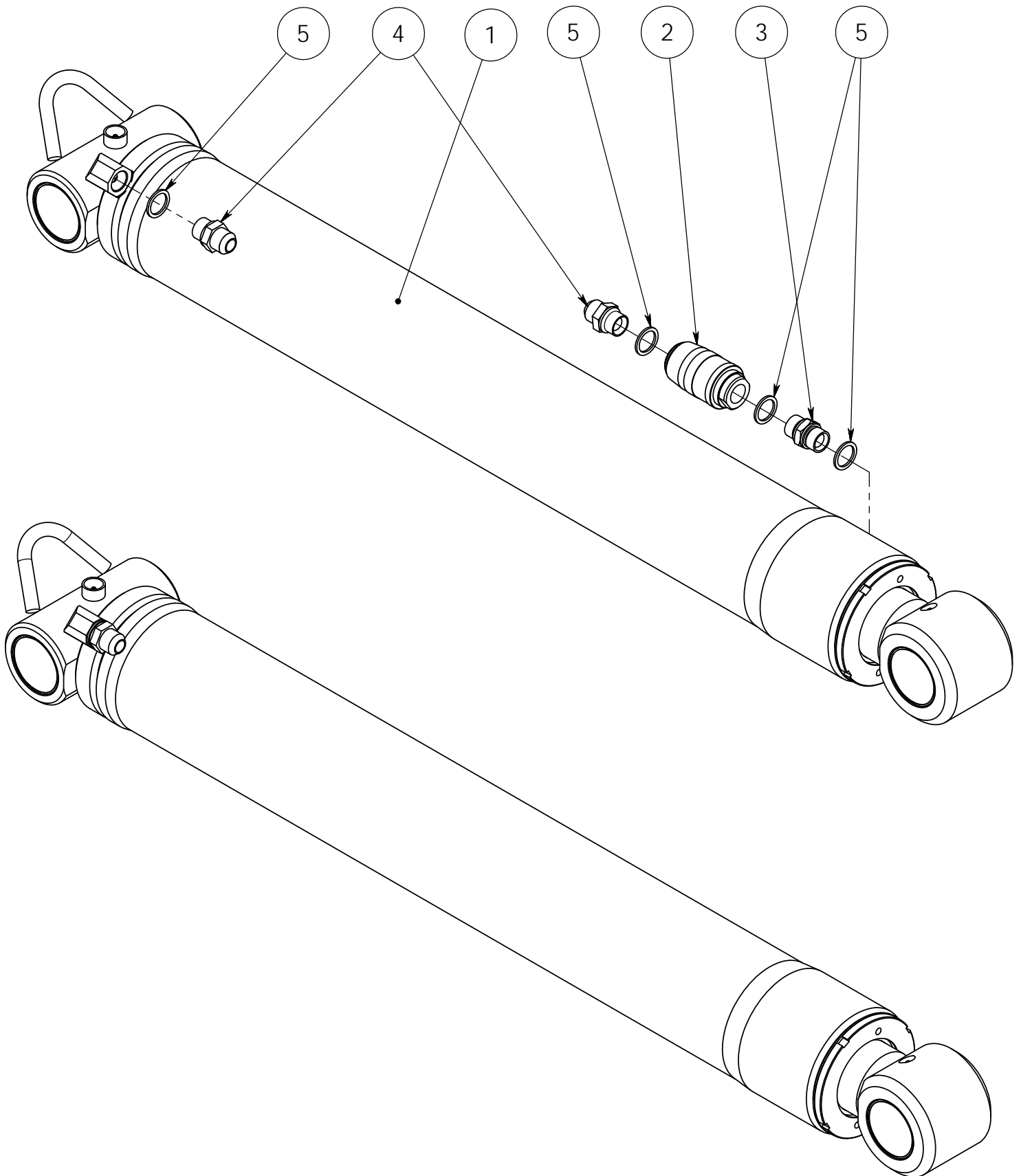
SPARE PART LIST

Item code	28977001	Revision	-
Title	MAIN LIFTING CYLINDER	Date	01.11.2013
Specification	130/80X810		

Pos	Item code	Title	Specification	Pc	Nto Weight
1	3111088	PISTON SEAL	SIMKO 300 130/109X7.8	1	0.24
2	3110400	O-RING	114.5X3.0 90 SHORE	1	0.02
3	3110322	O-RING	119.3X5.7 90 SHORE	1	0.08
4	3111083	O-RING	80.0X4 90 SHORE NBR	1	0.03
5	3110479	SUPPORTING RING	TR 130/120X1.7 PU	2	0.03
6	3110251	ROD SEAL	NI 300 80/95X12	1	0.16
7	3110880	ROD SEAL	OMS-MR 80/95.1X6	1	0.08
8	3110111	WIPER SEAL	GA 80/90X7/10	1	0.08
9	3111120	PISTON GUIDE	KB 130/125X14,8	2	0.12
10	3111085	GUIDANCE	SBK 80/85X14,8	2	0.07
11	28977101	CYLINDER BARREL	130/80X810	1	34.4
12	28970201	PISTON	130	1	3.99
13	28970202	GUIDANCE	130/80	1	4.79
14	28961204	PISTON ROD	80/50-995	1	30.69
15	3100185	BUSHING	WB 802 7060	2	0.27
16	3100226	BUSHING	WB 802 8060	2	0.3
17	3050003	GREASE NIPPLE	M8X1,25 DIN 71412	4	0
-10	3111121	SEAL KIT	130/80	1	

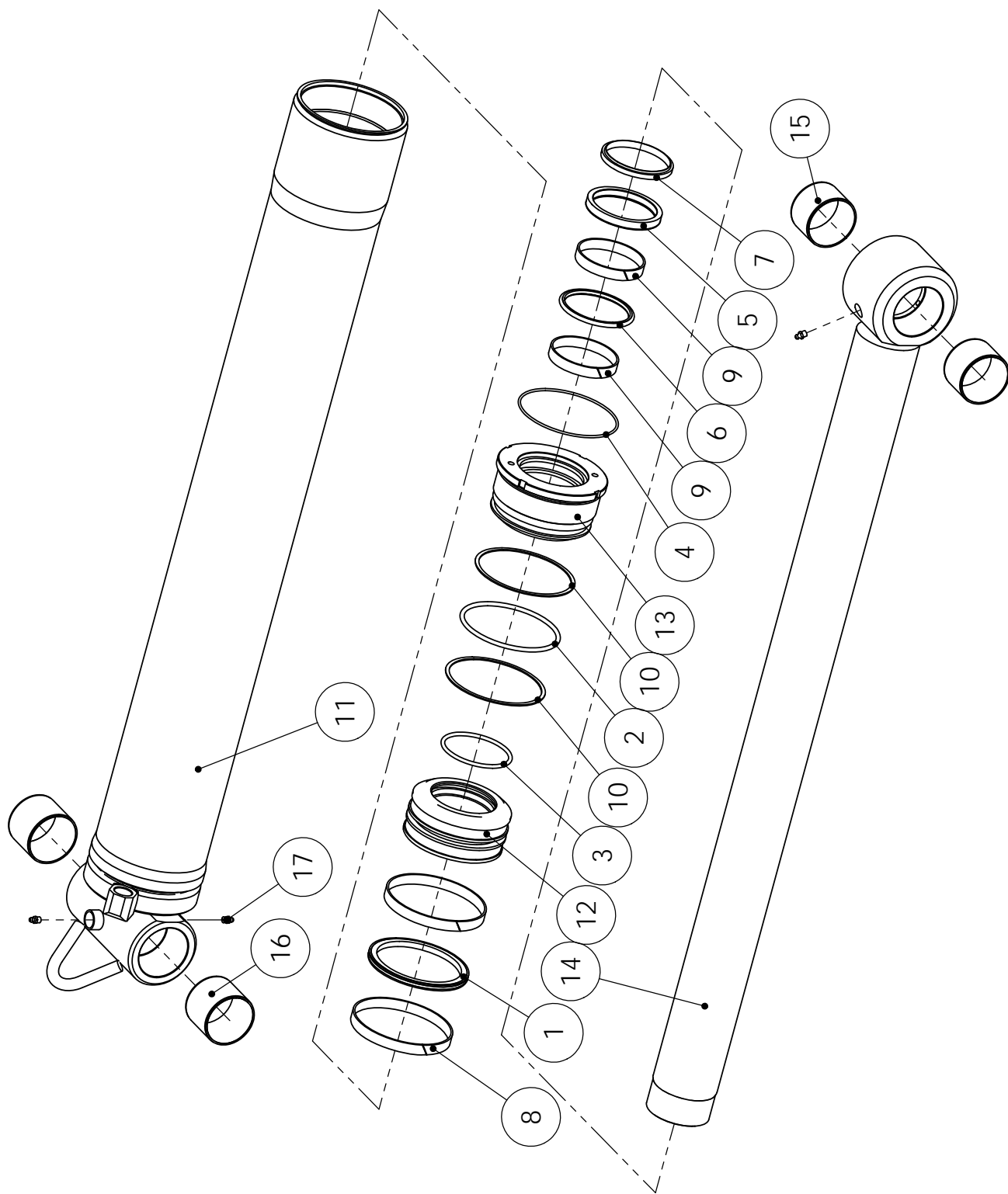
90026748

∅ 140/90x1036



Item code	90026748	Revision	-
Title	OUTER BOOM CYLINDER	Date	11.12.2013
Specification	140/90 X 1036 SIIRTOSYLINTERI 2112		

Pos	Item code	Title	Specification	Pc	Nto Weight
1	28978001	OUTER BOOM CYLINDER	140/90-1036	1	97.46
2	3120235	CHECK VALVE		1	1.24
3	3090185	CONNECTOR (STRAIGHT)	04000-12	1	0.14
4	3090918	CONNECTOR (STRAIGHT)	R 3/4" -1 1/16" JIC 26-04001-12-12	2	0.16
5	3110130	USIT-SEAL	R-12 R 3/4"	4	0.01



28978001 SIIRTOSYLINTERI

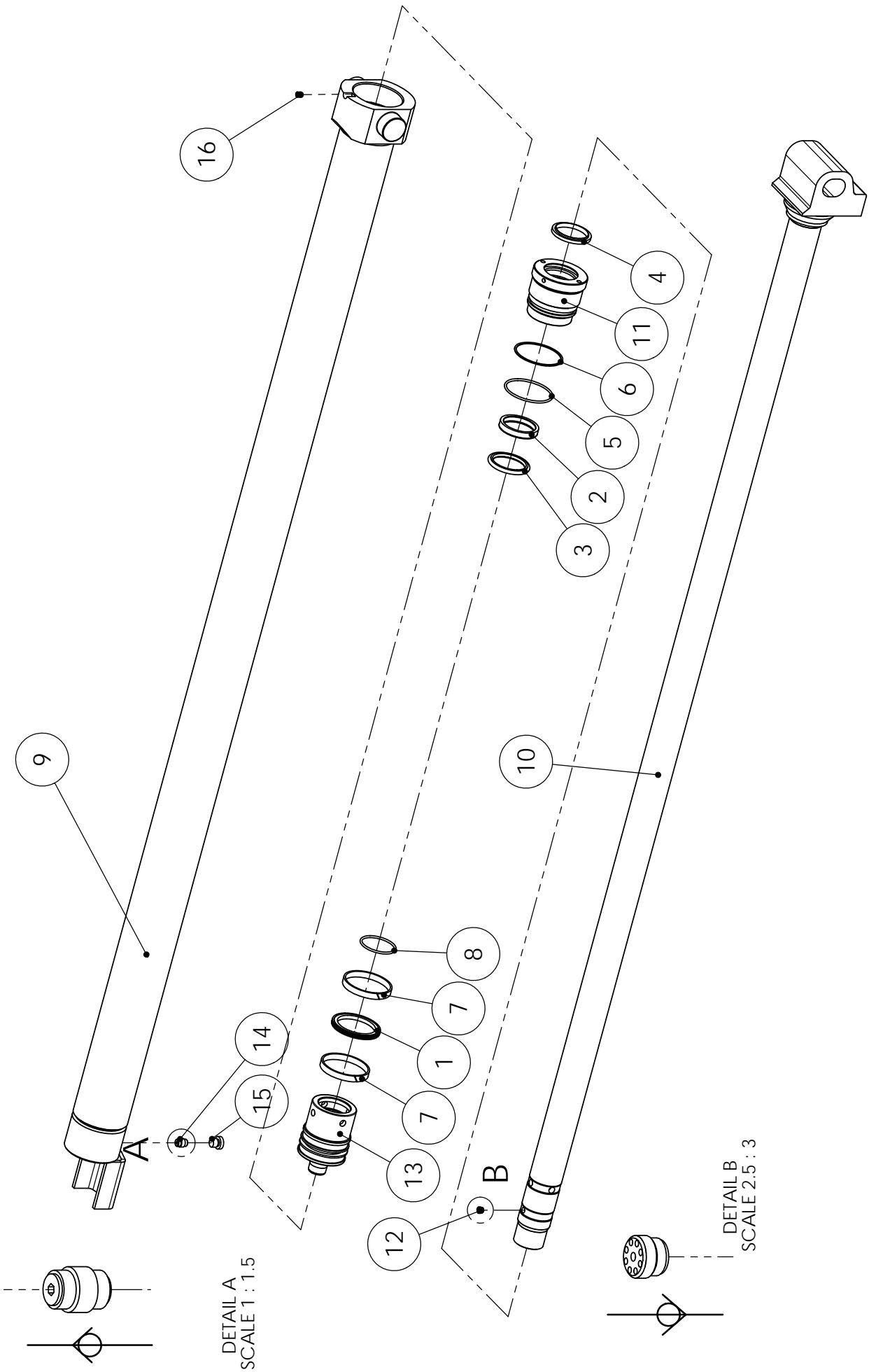
VARAOSAT \ RESERVDELAR \ SPARE PARTS \ ERSATZTEIL



SPARE PART LIST

Item code	28978001	Revision	-
Title	OUTER BOOM CYLINDER	Date	29.11.2013
Specification	140/90X1036		

Pos	Item code	Title	Specification	Pc	Nto Weight
1	3111090	PISTON SEAL	SIMKO 300 140/119X7.8	1	0.26
2	3110201	O-RING	129.3X5.7 70 SHORE	1	0.08
3	3111127	O-RING	90.0X5 90 SHORE NBR	1	0.05
4	3110494	O-RING	134.5X3 90 SHORE	1	0.02
5	3110793	ROD SEAL	NI300 90/105X11,5	1	0.18
6	3110882	ROD SEAL	OMS-MR 90/105.1X6	1	0.09
7	3110420	WIPER SEAL	GA 90/100X7/10	1	0.09
8	3111126	PISTON GUIDE	KBK 140/135X14,8	2	0.13
9	3111125	GUIDANCE	SBK 90/95X14,8	2	0.08
10	3110202	SUPPORTING RING	140/130X1.7 PU	2	0
11	28978101	CYLINDER BARREL	140/90-1036	1	44.95
12	28978201	PISTON	140	1	4.43
13	28978202	GUIDANCE	140/90	1	5.23
14	28978204	PISTON ROD	140/90-1036	1	40.68
15	3100332	BUSHING	WB 802 7050	2	0.22
16	3100185	BUSHING	WB 802 7060	2	0.27
17	3050003	GREASE NIPPLE	M8X1,25 DIN 71412	4	0
-10	3111128	SEAL KIT	140/90	1	



DETAIL A
SCALE 1 : 1.5

DETAIL B
SCALE 2.5 : 3

28980001 JATKESYLINTERI

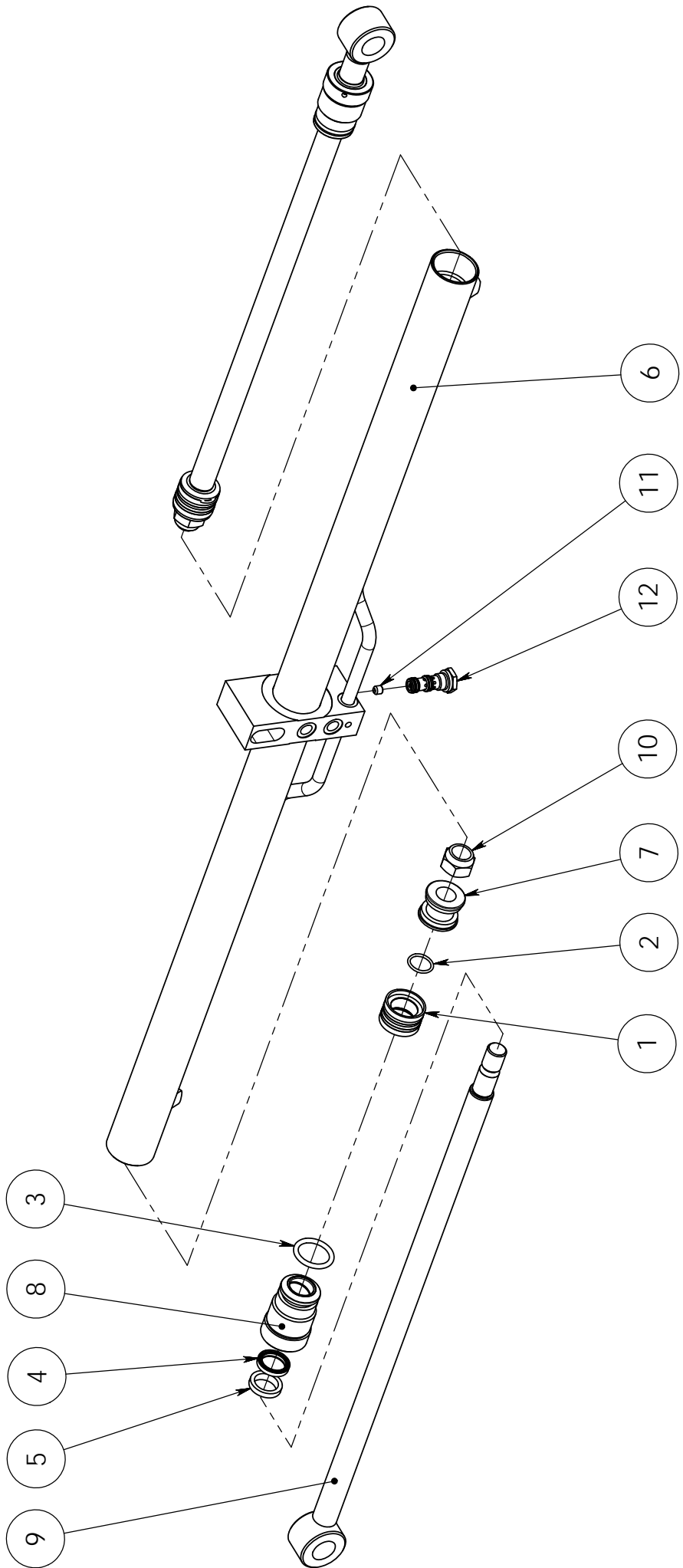
VARAOSAT \ RESERVDELAR \ SPARE PARTS \ ERSATZTEIL



SPARE PART LIST

Item code	28980001	Revision	-
Title	EXTENSION CYLINDER	Date	21.02.2014
Specification	75/50X1600		

Pos	Item code	Title	Specification	Pc	Nto Weight
1	3110961	PISTON SEAL	SIMKO 300 75/59.5X6	1	0.08
2	3110019	ROD SEAL	NI 300 50/60X10	1	0.06
3	3111133	ROD SEAL	OMS-MR 50/65.1X5,9	1	0.05
4	3110018	WIPER SEAL	PW 50	1	0.04
5	3110973	O-RING	69,5X3 90 SH	1	0.01
6	3110960	SUPPORTING RING	75/70X1,3 PU	1	0.01
7	3110962	GUIDANCE	MÄNNÄNOHJAIN 75/70X9,6 KUDOSBAK	2	0.04
8	3110182	O-RING	50.2X3 90 SHORE	1	0.01
9	28980101	CYLINDER BARREL	75/50-1600	1	22.22
10	28980204	PISTON ROD	75/50-1600	1	24.24
11	28980202	GUIDANCE	75/50	1	1.38
12	3121476	CHECK VALVE		1	0
13	28960201	PISTON	75	1	1.52
14	3120364	CHECK VALVE		1	0.01
15	3090211	PLUG		1	0.02
16	3010175	ALLEN SCREW	M8X10.ZN DIN 914	1	0
1-8	3111138	SEAL KIT	75/50	1	



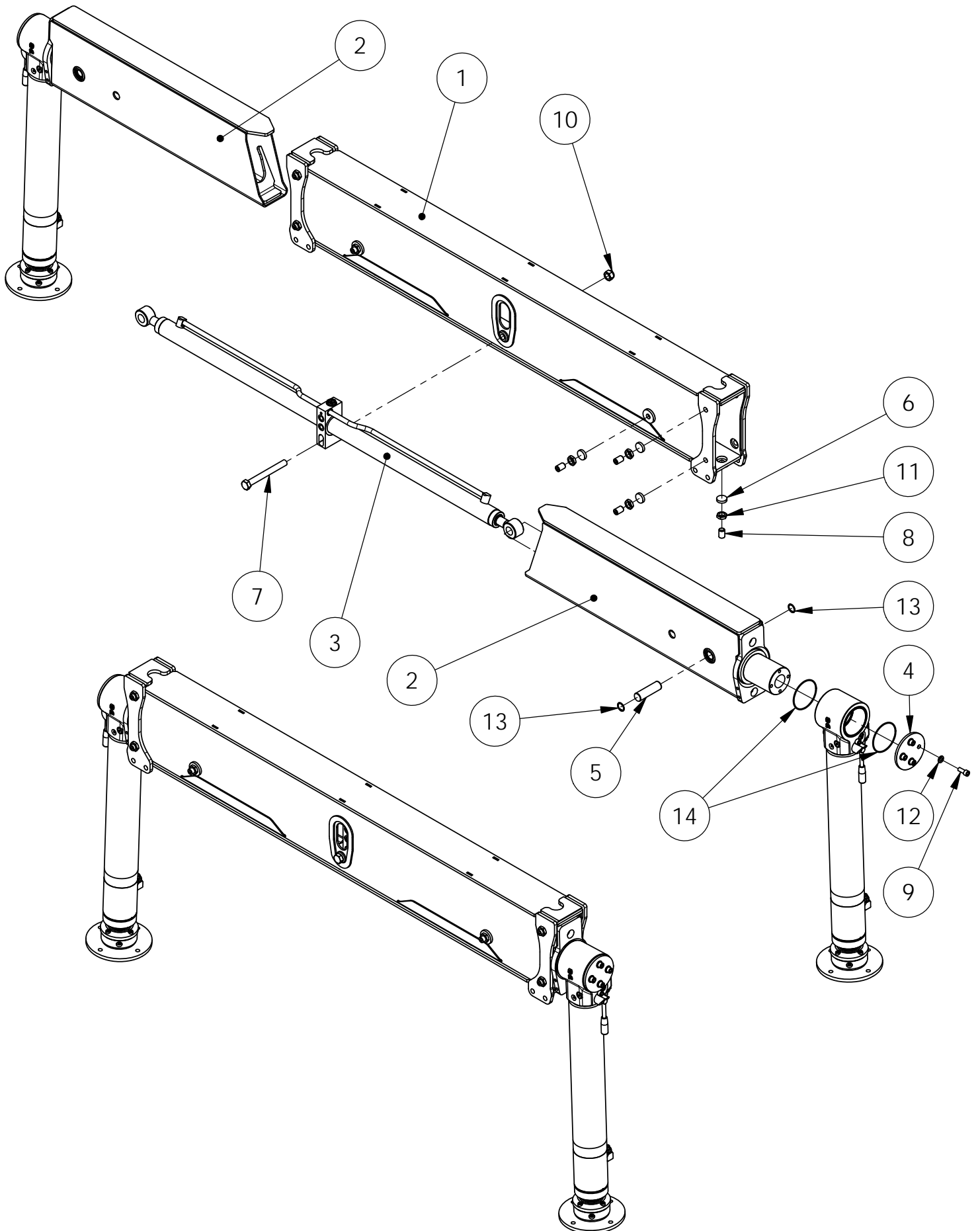


SPARE PART LIST

Item code	28862001	Revision	-
Title	CYLINDER	Date	08.06.2011
Specification	50/30X2X600		

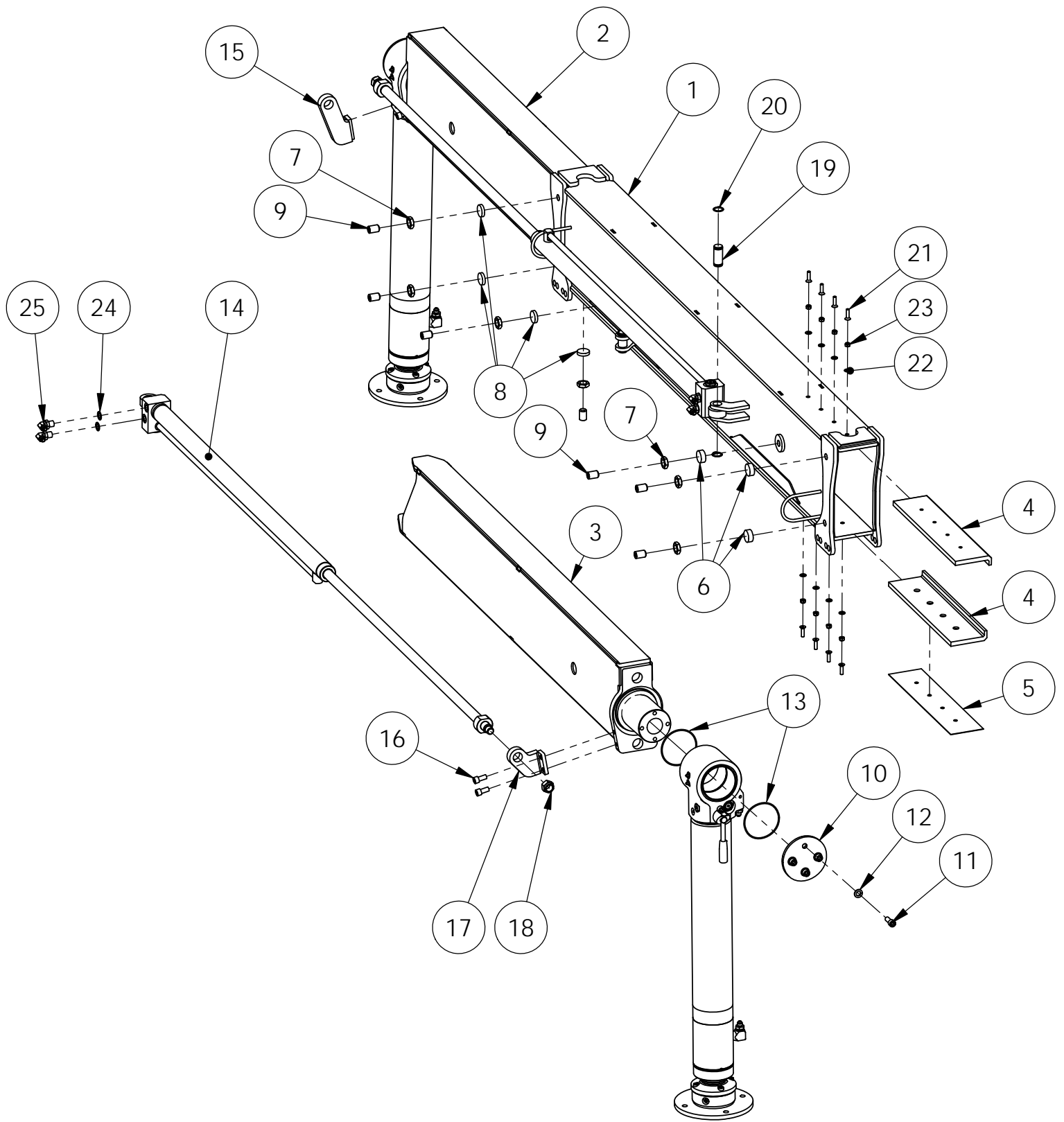
Pos	Item code	Title	Specification	Pc	Nto Weight
1	3110013	PISTON SEAL	DAS 50/34X18	2	0.18
2	3110003	O-RING	26.2X3 70 SHORE	2	0.01
3	3110288	O-RING	39.2X5.7 90 SHORE	2	0.03
4	3110030	ROD SEAL	T22 30/40X7.3	2	0.02
5	3110313	WIPER SEAL	GA 30/40X7/10	2	0.03
6	28862101	CYLINDER BARREL	50/30X2X600	1	3.82
7	28337201	PISTON	D=50 DBM	2	0.26
8	28337202	GUIDANCE	50/30	2	0.82
9	28812204	PISTON ROD	50/30X2X600	2	4.91
10	3020026	NUT	M24 ZN DIN 985	2	0.11
11	21510225	RESTRICTOR	M10X10/D=1.0	1	0
12	3120843	VALVE		1	0.13
1-5	3110324	SEAL KIT	50/30	1	

90025343
2114Z,2117Z STABILIZER L=3840



Item code	90025343	Revision	-
Title	STABILIZER	Date	10.02.2012
Specification	L=3840		

Pos	Item code	Title	Specification	Pc	Nto Weight
1	90025318	BEAM	TUKIJALKAPALKKI HITS	1	114.54
2	90025339	CONTROL ARM	HITS	2	45.05
3	28864001	SPREADING CYLINDER	50/30X2X650	1	27.75
4	90011250	FLANGE	135 - 8	2	0.86
5	90013050	AXLE	30-102	2	0.57
6	90020807	GLIDE PAD	35 - 8	8	0.01
7	3010224	HEW SCREW	M20X180 8.8 ZN DIN 931	1	0
8	3010312	ALLEN SCREW	M20X30 10.9 ZN DIN 913	8	0
9	3010246	ALLEN SCREW	M12X30 8.8 ZN DIN 912	8	0
10	3020009	NUT	M20 ZN DIN 985	1	0.07
11	3020014	NUT	M20 ZN DIN 936	8	0
12	3030047	WASHER	M12/13 ZN DIN 126	8	0.01
13	3060019	SNAP RING	30 DIN 472	4	0
14	3110259	O-RING	104.5X3 90 SHORE	4	0.02

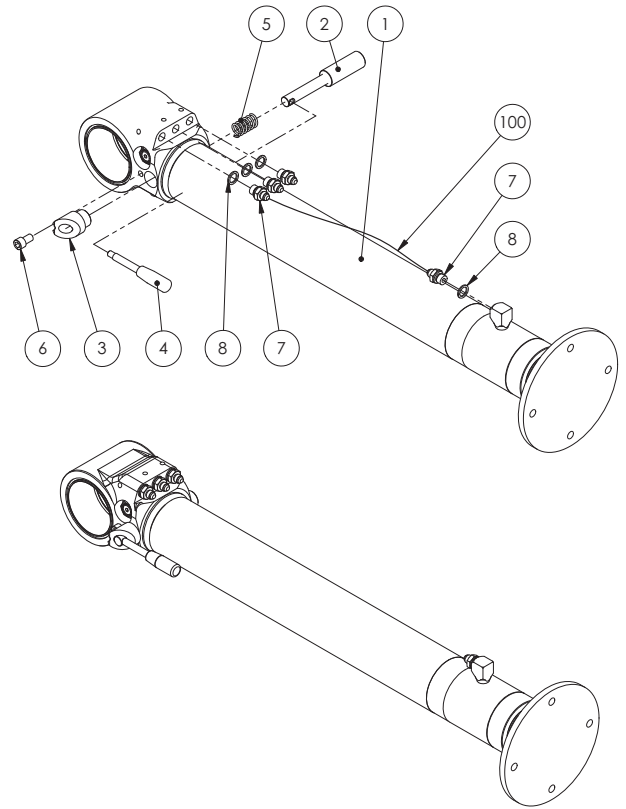
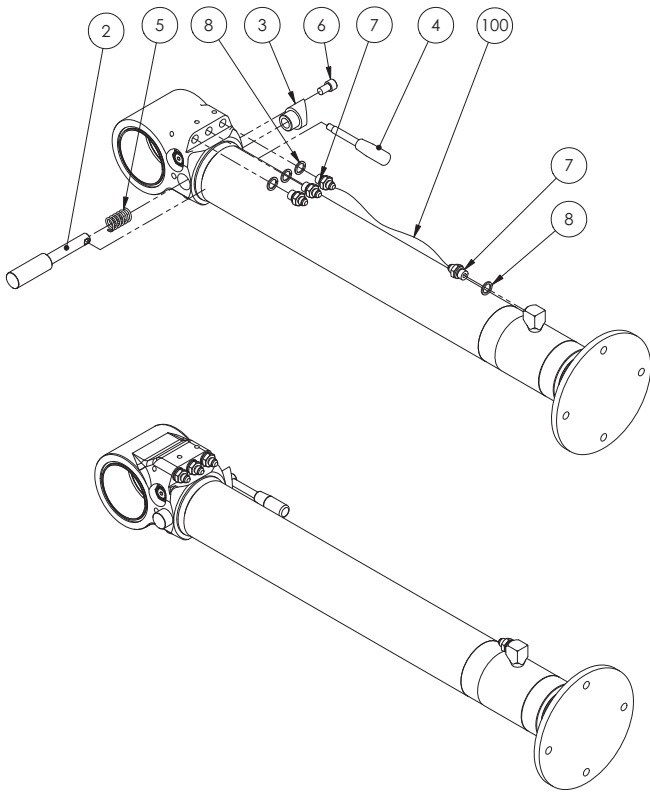


Item code	90026347	Revision	-
Title	STABILIZER	Date	02.05.2013
Specification	L=4770		

Pos	Item code	Title	Specification	Pc	Nto Weight
1	90026348	BEAM	SUPPORT BEAM	1	115.32
2	90026349	CONTROL ARM	OUTER	1	68.65
3	90026358	CONTROL ARM	INNER	1	66.94
4	90026360	GLIDE PAD	112X455	2	0.81
5	90026370	SHIM	1X102X455	1	0.36
6	90026231	GLIDE PAD	35-14	3	0.02
7	3020014	NUT	M20 ZN DIN 936	7	0
8	90020807	GLIDE PAD	35 - 8	4	0.01
9	3010312	ALLEN SCREW	M20X30 10.9 ZN DIN 913	7	0
10	90011250	FLANGE	135 - 8	2	0.86
11	3010246	ALLEN SCREW	M12X30 8.8 ZN DIN 912	8	0
12	3030047	WASHER	M12/13 ZN DIN 126	8	0.01
13	3110259	O-RING	104.5X3 90 SHORE	4	0.02
14	28958001	SPREADING CYLINDER	40/28X1100	2	17.39
15	90026355	BRACKET		1	1.35
16	3010239	ALLEN SCREW	M12X25 8.8 ZN DIN 912	4	0
17	90026365	BRACKET		1	0.96
18	3020009	NUT	M20 ZN DIN 985	2	0.07
19	90013830	AXLE	25-60	2	0.23
20	3060007	SNAP RING	25 ZN DIN 471	4	0
21	3010176	ALLEN SCREW	M8X30 10.9 ZN DIN 7991	8	0
22	3030025	WASHER	M8 ZN DIN 126	8	0
23	3020001	NUT	M8 ZN DIN 985	8	0.01
24	3110040	USIT-SEAL	R-06 R 3/8"	4	0
25	3091358	CONNECTOR	6310-06-06	4	0.09

90025604
90/70x620 LEFT (FIXED FOOT)

90025603
90/70x620 RIGHT (FIXED FOOT)



SPARE PART LIST

Item code	90025604	Revision	A
Title	STABILIZER	Date	18.06.2012
Specification	90/70X620 LEFT (FIXED FOOT)		

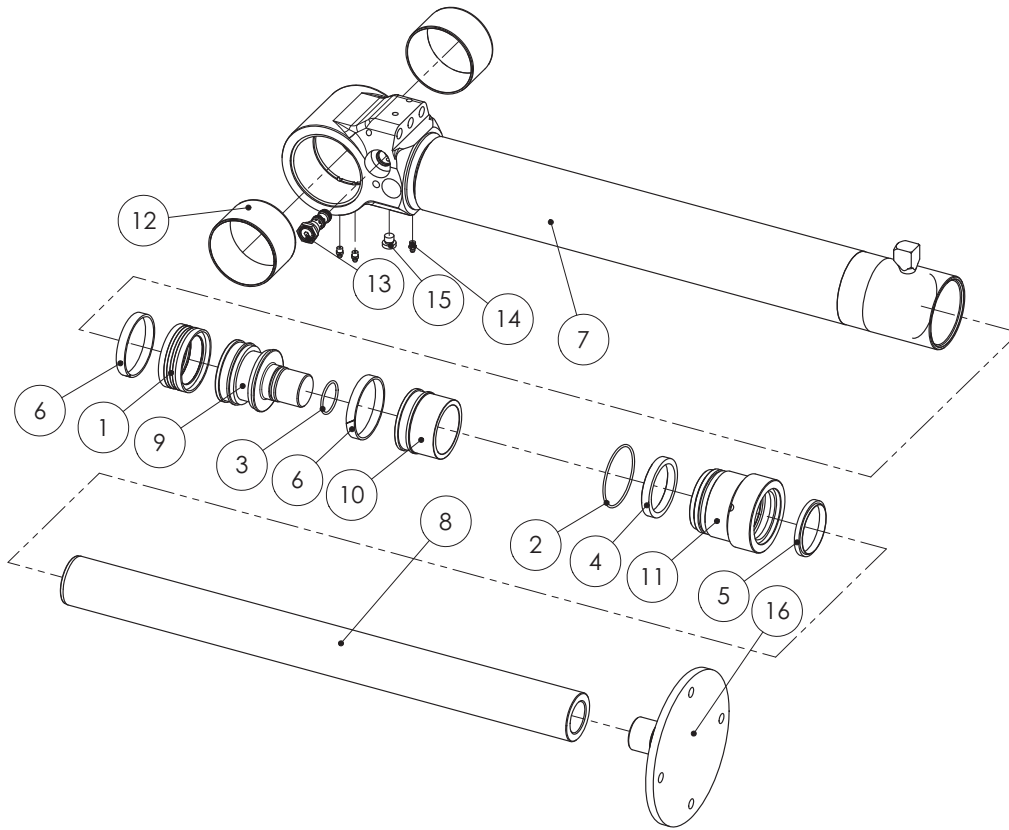
Pos	Item code	Title	Specification	Pc	Nto Weight
1	28943001	CYLINDER	90/70X620	1	61.43
2	90025017	SPINDLE	30/18-179	1	0.63
3	90025018	SLEEVE		1	0.26
4	3301574	LEVER	GN 310-12-125-E-NI M10	1	0.03
5	3300533	SPRING	18/45/7.6/6.88-1643 SF-TF3	1	0.02
6	3010604	ALLEN SCREW	M12X20 8.8 DIN 912	1	0
7	3090901	CONNECTOR	Ø10-Ø6-Ø6	4	0.05
8	3110040	JUST-SEAL	R-Ø4 8 3/8"	4	0
100	3132961	HYDRAULIC HOSE	A50005-06-06/241T-06/A50005-06-06S/L=730/TEX	1	



SPARE PART LIST

Item code	90025603	Revision	A
Title	STABILIZER	Date	18.06.2012
Specification	90/70X620 RIGHT (FIXED FOOT)		

Pos	Item code	Title	Specification	Pc	Nto Weight
1	28943001	CYLINDER	90/70X620	1	61.43
2	90025017	SPINDLE	30/18-179	1	0.63
3	90025018	SLEEVE		1	0.26
4	3301574	LEVER	GN 310-12-125-E-NI M10	1	0.03
5	3300533	SPRING	18/45/7.6/6.88-1643 SF-TF3	1	0.02
6	3010604	ALLEN SCREW	M12X20 8.8 DIN 912	1	0
7	3090901	CONNECTOR	Ø10-Ø6-Ø6	4	0.05
8	3110040	JUST-SEAL	R-Ø4 8 3/8"	4	0
100	3132961	HYDRAULIC HOSE	A50005-06-06/241T-06/A50005-06-06S/L=730/TEX	1	



28943001 SYLINTERI

VARAOSAT \ RESERVDELAR \ SPARE PARTS \ ERSATZTEIL

12.9.2013 11:19 Page 1/2

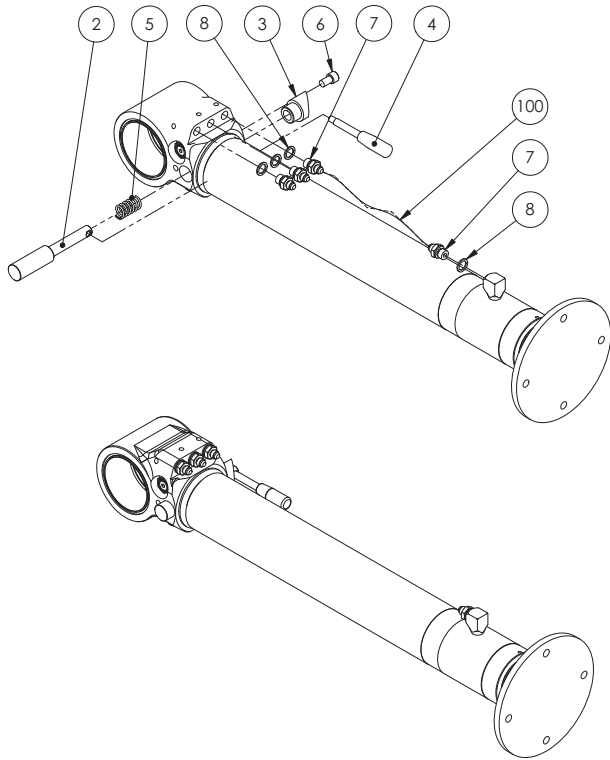


SPARE PART LIST

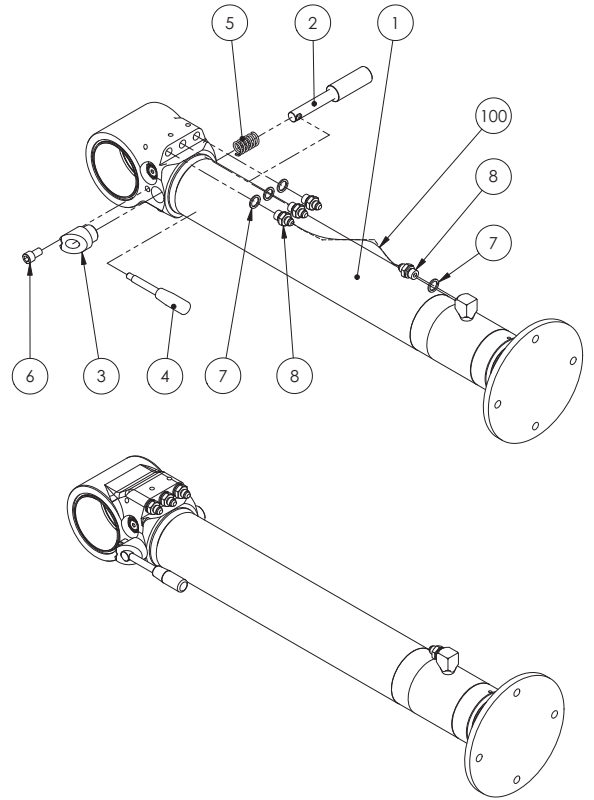
Item code	28943001	Revision	-
Title	CYLINDER	Date	15.01.2013
Specification	90/70X620		

Pos	Item code	Title	Specification	Pc	Nfo Weight
1	3110025	PISTON SEAL	DAS 90/70X22	1	0.5
2	3110017	O-RING	84.5X3 90 SHORE	2	0.02
3	3110258	O-RING	42.2X3 90 SHORE	1	0.01
4	3110184	ROD SEAL	B 70/85X12 POLYPAC BALSELE	1	0.17
5	3110196	WIPER SEAL	GA 70/80X7/10	1	0.07
6	3110397	PISTON GUIDE	E/PWR 90/84X13	2	0.08
7	28861101	CYLINDER BARREL	90/70X600	1	32.54
8	28943302	PISTON ROD	70-793	1	15.11
9	28942201	PISTON	90	1	2.46
10	28554105	SLEEVE	ISKURAJOITINHOLKKI	1	0.96
11	28358202	GUIDANCE	90/70	1	2.42
12	3100344	BUSHING	WB 802 10060	2	0.38
13	3120843	VALVE		1	0.13
14	3050003	GREASE NIPPLE	M8X1.25 DIN 71412	3	0
15	3090211	PLUG		1	0.02
16	28942106	BASE	TUKIJALKA	1	6.07
1-6	3111025	SEAL KIT	90/70	1	

90025606
90/70x520 LEFT (FIXED FOOT)



90025605
90/70x520 RIGHT (FIXED FOOT)



SPARE PART LIST

Item code	90025606	Revision	A
Title	STABILIZER	Date	18.06.2012
Specification	90/70X520 LEFT (FIXED FOOT)		

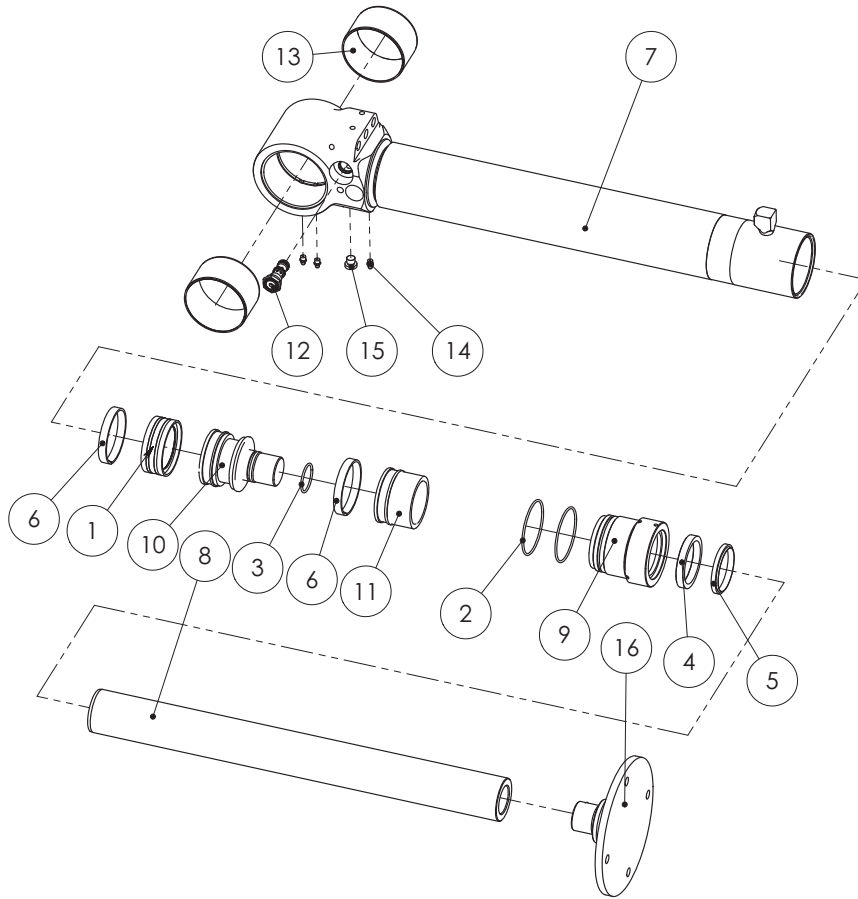
Pos	Item code	Title	Specification	Pc	Nto Weight
1	28942001	CYLINDER	90/70X520	1	57.69
2	90025017	SPINDLE	30/18-179	1	0.63
3	90025018	SLEEVE		1	0.26
4	3301574	LEVER	GN 310-12-125-E-NI M10	1	0.03
5	3300533	SPRING	18/45/7.6/6.88-1643 SF-TF3	1	0.02
6	3010604	ALLEN SCREW	M12X20 B8.8 DIN 912	1	0
7	3090901	CONNECTOR	4010-04-04	4	0.05
8	3110040	JUST SEAL	R-04 B 3/8"	4	0
100	3132942	HYDRAULIC HOSE	A50005-04-04/241T-06/A50005-06-04/L=630/TEX	1	0



SPARE PART LIST

Item code	90025605	Revision	A
Title	STABILIZER	Date	18.06.2012
Specification	90/70X520 RIGHT (FIXED FOOT)		

Pos	Item code	Title	Specification	Pc	Nto Weight
1	28942001	CYLINDER	90/70X520	1	57.69
2	90025017	SPINDLE	30/18-179	1	0.63
3	90025018	SLEEVE		1	0.26
4	3301574	LEVER	GN 310-12-125-E-NI M10	1	0.03
5	3300533	SPRING	18/45/7.6/6.88-1643 SF-TF3	1	0.02
6	3010604	ALLEN SCREW	M12X20 B8.8 DIN 912	1	0
7	3110040	JUST SEAL	R-04 B 3/8"	4	0
8	3090901	CONNECTOR	4010-04-04	4	0.05
100	3132942	HYDRAULIC HOSE	A50005-04-04/241T-06/A50005-06-04/L=630/TEX	1	0



28942001

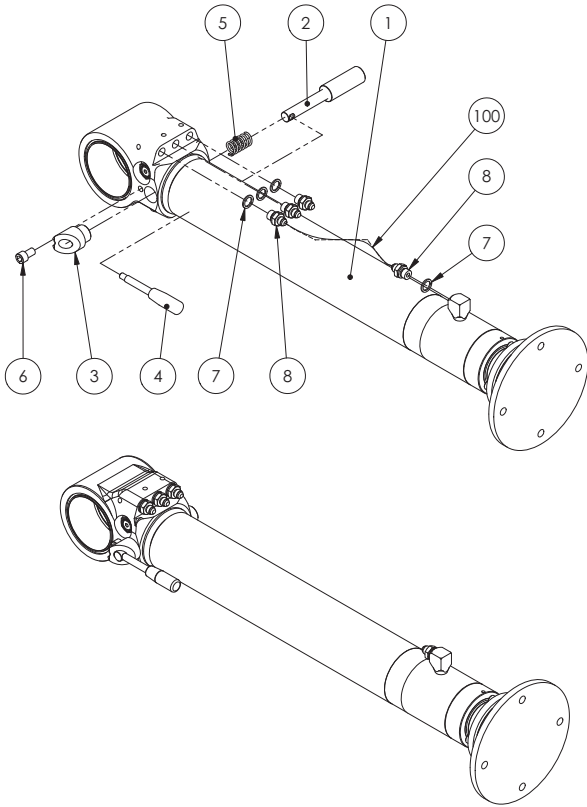


SPARE PART LIST

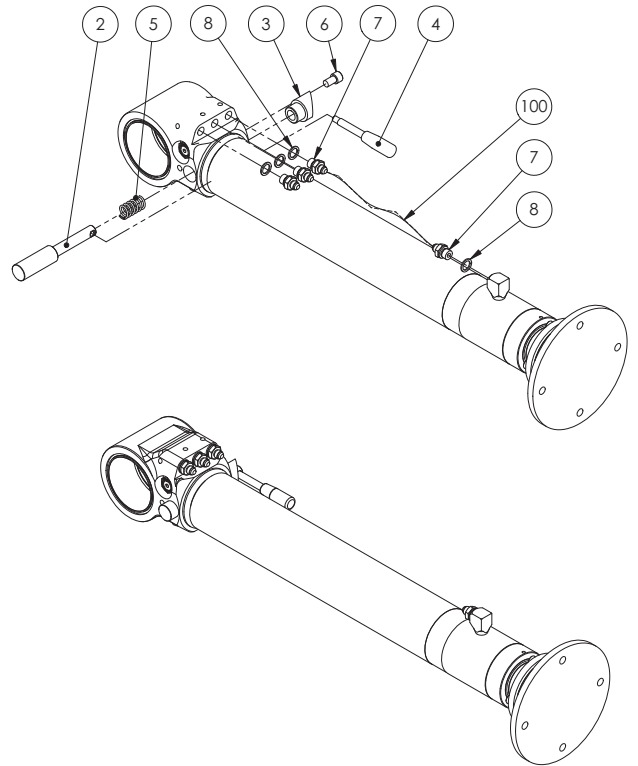
Item code	28942001	Revision	-
Title	CYLINDER	Date	30.11.2012
Specification	90/70X520		

Pos	Item code	Title	Specification	Pc	Nfo Weight
1	3110025	PISTON SEAL	DAS 90/70X22	1	0.5
2	3110017	O-RING	84.5X3 90 SHORE	2	0.02
3	3110258	O-RING	42.2X3 90 SHORE	1	0.01
4	3110184	ROD SEAL	B 70/85X12 POLYPAC BALSELE	1	0.17
5	3110196	WIPER SEAL	GA 70/80X7/10	1	0.07
6	3110397	PISTON GUIDE	E/PWR 90/84X13	2	0.08
7	28865101	CYLINDER BARREL	90/70X500	1	30.74
8	28942302	PISTON ROD	70-693	1	13.17
9	28358202	GUIDANCE	90/70	1	2.42
10	28942201	PISTON	90	1	2.46
11	28554105	SLEEVE	ISKURAJOITINHOLKKI	1	0.96
12	3120843	VALVE		1	0.13
13	3100344	BUSHING	WB 802 10060	2	0.38
14	3050003	GREASE NIPPLE	M8X1.25 DIN 71412	3	0
15	3090211	PLUG		1	0.02
16	28942106	BASE	TUKIJALKA	1	6.07
1-6	3111025	SEAL KIT	90/70	1	

90025608
90/70x520 RIGHT (ADJUSTABLE FOOT)



90025609
90/70x520 LEFT (ADJUSTABLE FOOT)



SPARE PART LIST

Item code	90025608	Revision	A
Title	STABILIZER	Date	19.06.2012
Specification	90/70X520 RIGHT (ADJUSTABLE FOOT)		

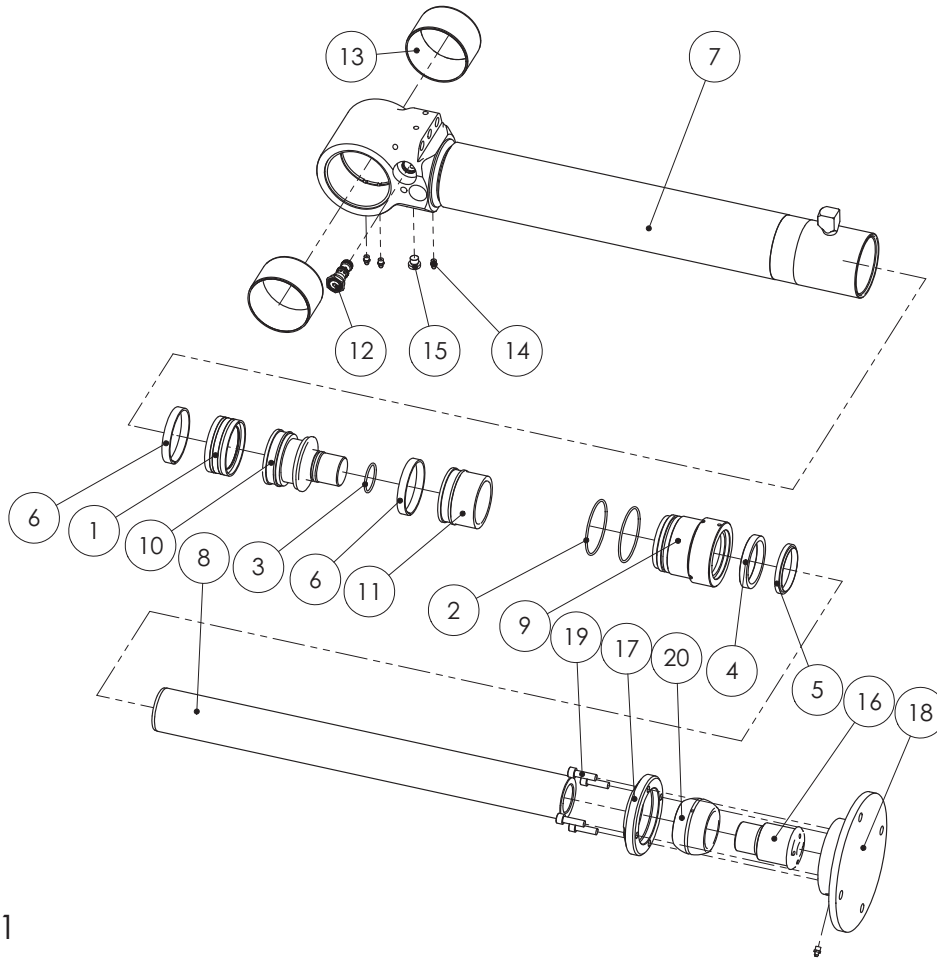
Pos	Item code	Title	Specification	Pc	Nto Weight
1	28944001	CYLINDER	90/70X520	1	61.28
2	90025017	SPINDLE	30/18-179	1	0.63
3	90025018	SLEEVE		1	0.26
4	3301574	LEVER	GN 310-12-125-E-NI M10	1	0.03
5	3300533	SPRING	18/45/7.6/6.88-1643 SF-TF3	1	0.02
6	3010604	ALLEN SCREW	M12X20 8.8 DIN 912	1	0
7	3110040	JUST SEAL	R-04 R 3/8"	4	0
8	3090901	CONNECTOR	4010-04-04	4	0.05
100	3132942	HYDRAULIC HOSE	A50005-04-04/241T-06/A50005-06-04/L=630/TEX	1	0



SPARE PART LIST

Item code	90025609	Revision	A
Title	STABILIZER	Date	19.06.2012
Specification	90/70X520 LEFT (ADJUSTABLE FOOT)		

Pos	Item code	Title	Specification	Pc	Nto Weight
1	28944001	CYLINDER	90/70X520	1	61.28
2	90025017	SPINDLE	30/18-179	1	0.63
3	90025018	SLEEVE		1	0.26
4	3301574	LEVER	GN 310-12-125-E-NI M10	1	0.03
5	3300533	SPRING	18/45/7.6/6.88-1643 SF-TF3	1	0.02
6	3010604	ALLEN SCREW	M12X20 8.8 DIN 912	1	0
7	3090901	CONNECTOR	4010-04-04	4	0.05
8	3110040	JUST SEAL	R-04 R 3/8"	4	0
100	3132942	HYDRAULIC HOSE	A50005-04-04/241T-06/A50005-06-04/L=630/TEX	1	0



28944001



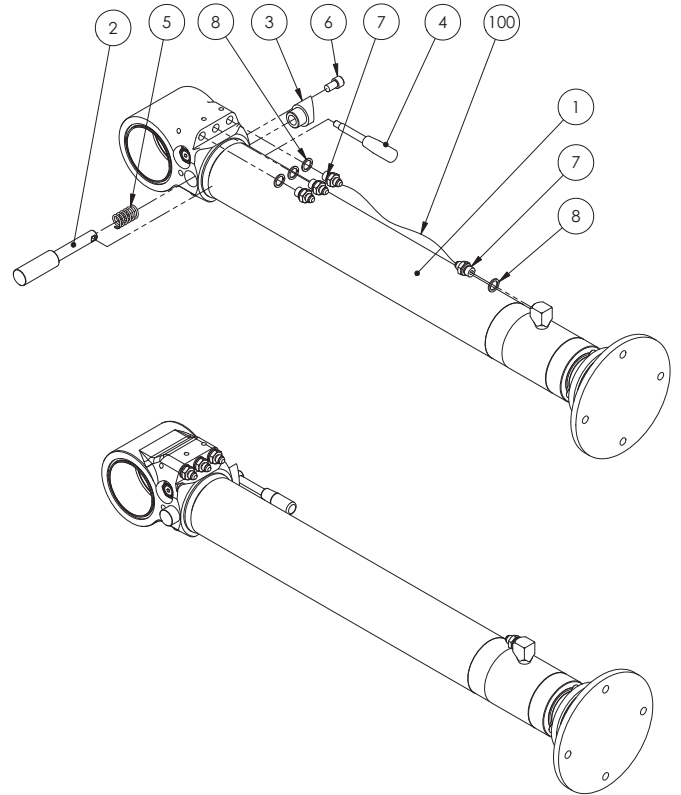
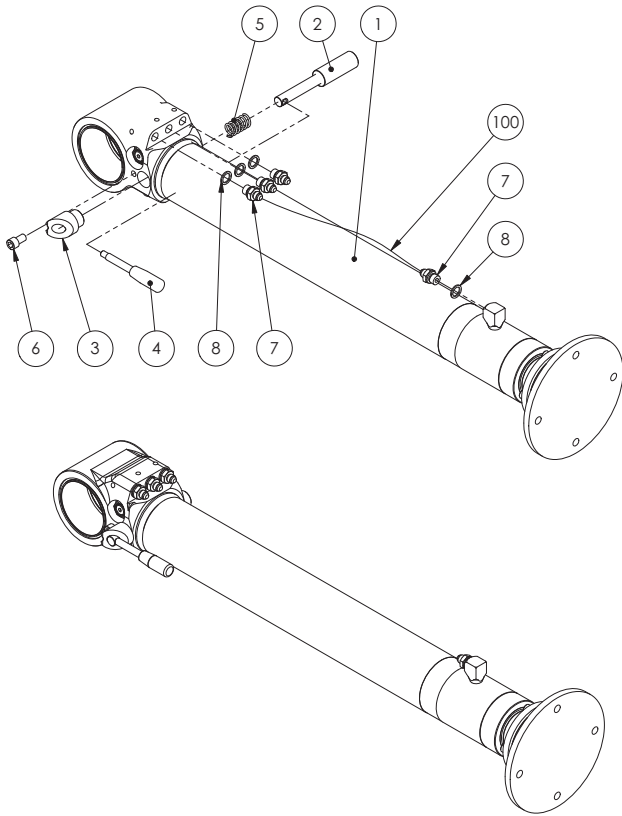
SPARE PART LIST

Item code	28944001	Revision	-
Title	CYLINDER	Date	30.11.2012
Specification	90/70X520		

Pos	Item code	Title	Specification	Pc	Nfo Weight
1	3110025	PISTON SEAL	DAS 90/70X22	1	0.5
2	3110017	O-RING	84.5X3 90 SHORE	2	0.02
3	3110258	O-RING	42.2X3 90 SHORE	1	0.01
4	3110184	ROD SEAL	B 70/85X12 POLYPAC BALSELE	1	0.17
5	3110196	WIPER SEAL	GA 70/80X7/10	1	0.07
6	3110397	PISTON GUIDE	E/PWR 90/84X13	2	0.08
7	28865101	CYLINDER BARREL	90/70X500	1	30.74
8	28942302	PISTON ROD	70-693	1	13.17
9	28358202	GUIDANCE	90/70	1	2.42
10	28942201	PISTON	90	1	2.46
11	28554105	SLEEVE	ISKURAJOITINHOLKKI	1	0.96
12	3120843	VALVE		1	0.13
13	3100344	BUSHING	WB 802 10060	2	0.38
14	3050003	GREASE NIPPLE	M8X1.25 DIN 71412	4	0
15	3090211	PLUG		1	0.02
16	28944401	AXLE	60/M47	1	1.9
17	28861107	COVER		1	1.07
18	28861106	BASE		1	5.55
19	3010970	ALLEN SCREW	M10X35 12.9 DIN 912	4	0
20	3100428	BEARING	NIVELLAAKERIN PALLO GEF 60 ES	1	1.14
1-6	3111025	SEAL KIT	90/70	1	

90025610
90/70x620 RIGHT (ADJUSTABLE FOOT)

90025611
90/70x620 LEFT (ADJUSTABLE FOOT)



SPARE PART LIST

Item code	90025610	Revision	A
Title	STABILIZER	Date	19.06.2012
Specification	90/70X620 RIGHT (ADJUSTABLE FOOT)		

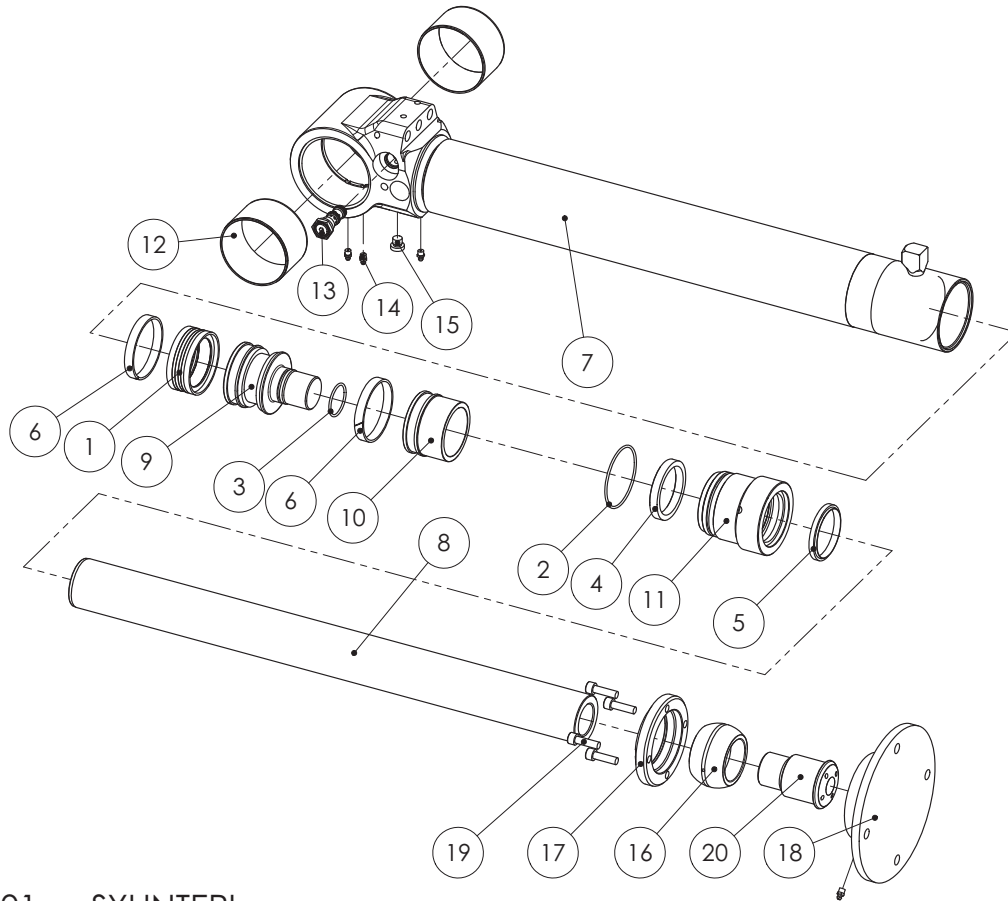
Pos	Item code	Title	Specification	Pc	Nto Weight
1	28945001	CYLINDER	90/70X620	1	65.02
2	90025017	SPINDLE	30/18-179	1	0.63
3	90025018	SLEEVE		1	0.26
4	3301574	LEVER	GN 310-12-125-E-NI M10	1	0.03
5	3300533	SPRING	18/45/7.6/6.88-1643 SF-TF3	1	0.02
6	3010604	ALLEN SCREW	M12X20 8.8 DIN 912	1	0
7	3090901	CONNECTOR	Ø10-Ø6-Ø6	4	0.05
8	3110040	JIST-SEAL	R-Ø4 8 3/8"	4	0
100	3132961	HYDRAULIC HOSE	A50005-06-06/241T-06/A50005-06-06S/L=730/TEX	1	



SPARE PART LIST

Item code	90025611	Revision	A
Title	STABILIZER	Date	19.06.2012
Specification	90/70X620 LEFT (ADJUSTABLE FOOT)		

Pos	Item code	Title	Specification	Pc	Nto Weight
1	28945001	CYLINDER	90/70X620	1	65.02
2	90025017	SPINDLE	30/18-179	1	0.63
3	90025018	SLEEVE		1	0.26
4	3301574	LEVER	GN 310-12-125-E-NI M10	1	0.03
5	3300533	SPRING	18/45/7.6/6.88-1643 SF-TF3	1	0.02
6	3010604	ALLEN SCREW	M12X20 8.8 DIN 912	1	0
7	3090901	CONNECTOR	Ø10-Ø6-Ø6	4	0.05
8	3110040	JIST-SEAL	R-Ø4 8 3/8"	4	0
100	3132961	HYDRAULIC HOSE	A50005-06-06/241T-06/A50005-06-06S/L=730/TEX	1	



28945001 SYLINTERI

VARAOSAT \ RESERVDELAR \ SPARE PARTS \ ERSATZTEIL

12.9.2013 10:28 Page 1/2



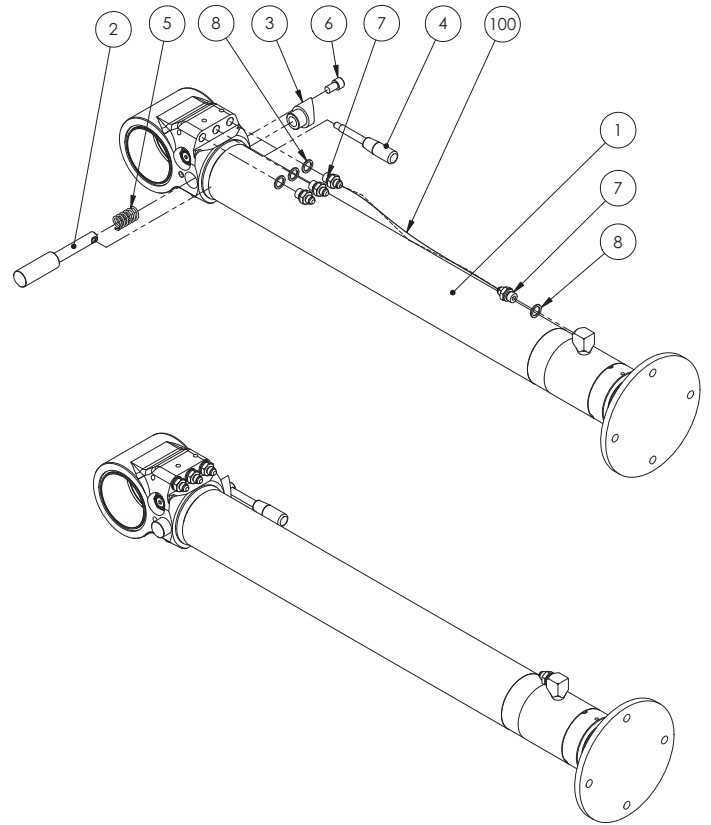
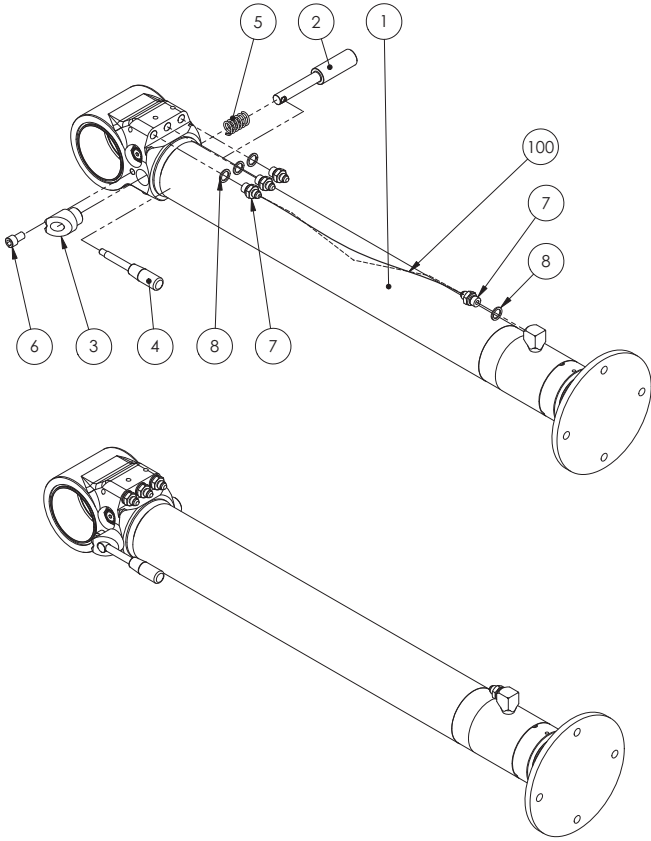
SPARE PART LIST

Item code	28945001	Revision	-
Title	CYLINDER	Date	15.01.2013
Specification	90/70X620		

Pos	Item code	Title	Specification	Pc	Nfo Weight
1	3110025	PISTON SEAL	DAS 90/70X22	1	0.5
2	3110017	O-RING	84.5X3 90 SHORE	2	0.02
3	3110258	O-RING	42.2X3 90 SHORE	1	0.01
4	3110184	ROD SEAL	B 70/85X12 POLYPAC BALSELE	1	0.17
5	3110196	WIPER SEAL	GA 70/80X7/10	1	0.07
6	3110397	PISTON GUIDE	E/PWR 90/84X13	2	0.08
7	28861101	CYLINDER BARREL	90/70X600	1	32.54
8	28943302	PISTON ROD	70-793	1	15.11
9	28942201	PISTON	90	1	2.46
10	28554105	SLEEVE	ISKURAJOITINHOLKKI	1	0.96
11	28358202	GUIDANCE	90/70	1	2.42
12	3100344	BUSHING	WB 802 10060	2	0.38
13	3120843	VALVE		1	0.13
14	3050003	GREASE NIPPLE	M8X1.25 DIN 71412	4	0
15	3090211	PLUG		1	0.02
16	3100428	BEARING	NIVELLAAKERIN PALLO GEF 60 ES	1	1.14
17	28861107	COVER		1	1.07
18	28861106	BASE		1	5.55
19	3010970	ALLEN SCREW	M10X35 12.9 DIN 912	4	0
20	28944401	AXLE	60/M47	1	1.9
1-6	3111025	SEAL KIT	90/70	1	

90026032
90/70x720 RIGHT (FIXED FOOT)

90026033
90/70x720 LEFT (FIXED FOOT)



SPARE PART LIST

Item code	90026032	Revision	-
Title	STABILIZER	Date	15.01.2013
Specification	90/70X720 RIGHT		

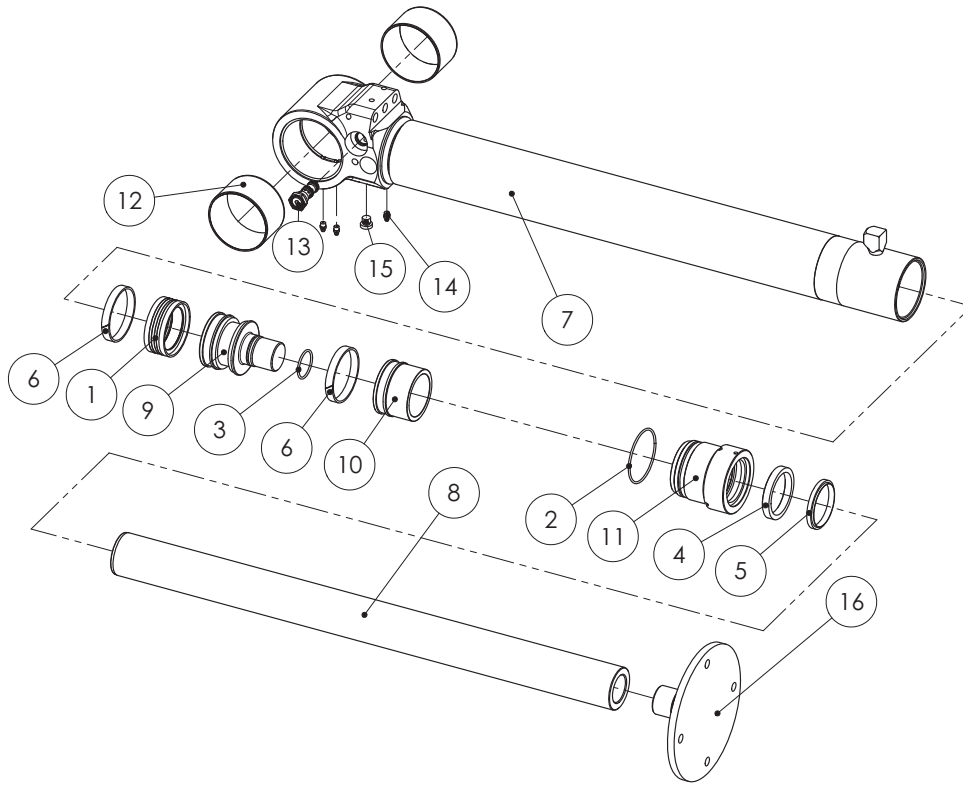
Pos	Item code	Title	Specification	Pc	Nto Weight
1	28949001	CYLINDER	90/70X720	1	65.15
2	90025017	SPINDLE	30/18-179	1	0.63
3	90025018	SLEEVE		1	0.26
4	3301574	LEVER	GN 310-12-125-E-NI M10	1	0.03
5	3300533	SPRING	18/45/7.6/6.88-1643 SF-TF3	1	0.02
6	3010604	ALLEN SCREW	M12X20 8.8 DIN 912	1	0
7	3090901	CONNECTOR	Ø10-Ø6-Ø6	4	0.05
8	3110040	JUST-SEAL	R-Ø4 8 3/8"	4	0
100	3133273	HYDRAULIC HOSE	A50005-06-06/241T-06/A50005-06-06/L=830/TEX	1	0



SPARE PART LIST

Item code	90026033	Revision	-
Title	STABILIZER	Date	15.01.2013
Specification	90/70X720 LEFT		

Pos	Item code	Title	Specification	Pc	Nto Weight
1	28949001	CYLINDER	90/70X720	1	65.15
2	90025017	SPINDLE	30/18-179	1	0.63
3	90025018	SLEEVE		1	0.26
4	3301574	LEVER	GN 310-12-125-E-NI M10	1	0.03
5	3300533	SPRING	18/45/7.6/6.88-1643 SF-TF3	1	0.02
6	3010604	ALLEN SCREW	M12X20 8.8 DIN 912	1	0
7	3090901	CONNECTOR	Ø10-Ø6-Ø6	4	0.05
8	3110040	JUST-SEAL	R-Ø4 8 3/8"	4	0
100	3133273	HYDRAULIC HOSE	A50005-06-06/241T-06/A50005-06-06/L=830/TEX	1	0



28949001 SYLINTERI

VARAOSAT \ RESERVDELAR \ SPARE PARTS \ ERSATZTEIL

12.9.2013 10:25 Page 1/2

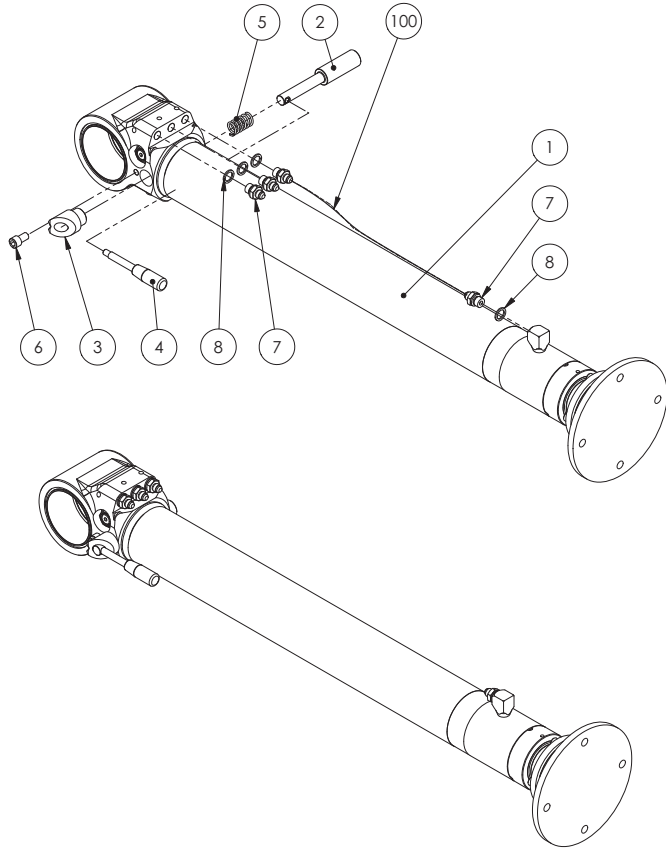


SPARE PART LIST

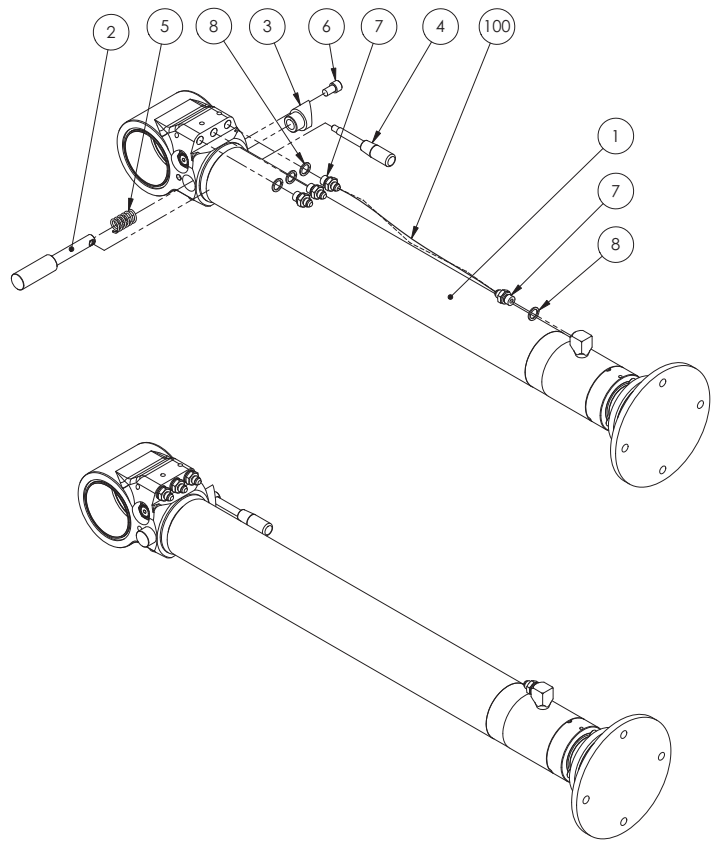
Item code	28949001	Revision	-
Title	CYLINDER	Date	13.02.2013
Specification	90/70X720		

Pos	Item code	Title	Specification	Pc	Nfo Weight
1	3110025	PISTON SEAL	DAS 90/70X22	1	0.5
2	3110017	O-RING	84.5X3 90 SHORE	1	0.02
3	3110258	O-RING	42.2X3 90 SHORE	1	0.01
4	3110184	ROD SEAL	B 70/85X12 POLYPAC BALSELE	1	0.17
5	3110196	WIPER SEAL	GA 70/80X7/10	1	0.07
6	3110397	PISTON GUIDE	E/PWR 90/84X13	2	0.08
7	28949101	CYLINDER BARREL	90/70X720	1	34.35
8	28949302	PISTON ROD	70-893	1	17.04
9	28942201	PISTON	90	1	2.46
10	28554105	SLEEVE	ISKURAJOITINHOLKKI	1	0.96
11	28358202	GUIDANCE	90/70	1	2.42
12	3100344	BUSHING	WB 802 10060	2	0.38
13	3120843	VALVE		1	0.13
14	3050003	GREASE NIPPLE	M8X1.25 DIN 71412	3	0
15	3090211	PLUG		1	0.02
16	28942106	BASE	TUKIJALKA	1	6.07
1-6	3111025	SEAL KIT	90/70	1	

90026034
90/70x720 RIGHT (ADJUSTABLE FOOT)



90026035
90/70x720 LEFT (ADJUSTABLE FOOT)



SPARE PART LIST

Item code	90026034	Revision	-
Title	STABILIZER	Date	16.01.2013
Specification	90/70X720 RIGHT		

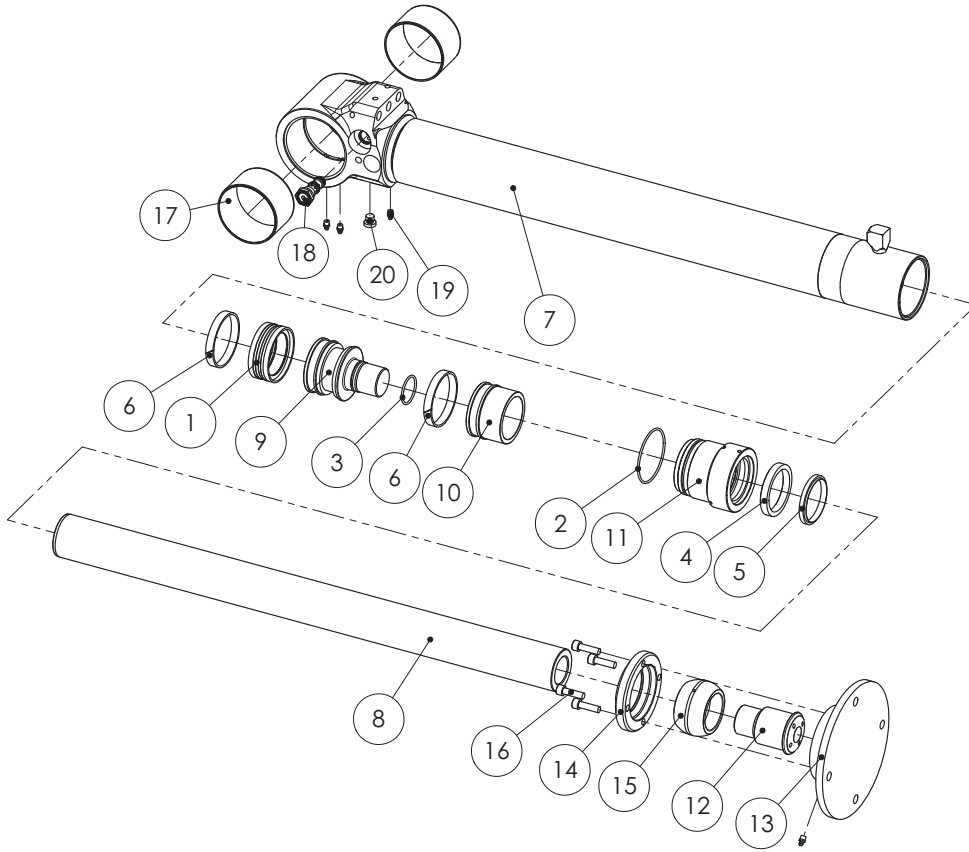
Pos	Item code	Title	Specification	Pc	Nto Weight
1	28950001	CYLINDER	90/70X720	1	68.74
2	90025017	SPINDLE	30/18-179	1	0.63
3	90025018	SLEEVE		1	0.26
4	3301574	LEVER	GN 310-12-125-E-NI M10	1	0.03
5	3300533	SPRING	18/45/7.6/6.88-1643 SF-TF3	1	0.02
6	3010604	ALLEN SCREW	M12X20 8.8 DIN 912	1	0
7	3090901	CONNECTOR	Ø10-Ø6-Ø6	4	0.05
8	3110040	JUST-SEAL	R-Ø4 8 3/8"	4	0
100	3133273	HYDRAULIC HOSE	A50005-06-06/241T-06/A50005-06-06/L=830/TEX	1	0



SPARE PART LIST

Item code	90026035	Revision	-
Title	STABILIZER	Date	16.01.2013
Specification	90/70X720 LEFT		

Pos	Item code	Title	Specification	Pc	Nto Weight
1	28950001	CYLINDER	90/70X720	1	68.74
2	90025017	SPINDLE	30/18-179	1	0.63
3	90025018	SLEEVE		1	0.26
4	3301574	LEVER	GN 310-12-125-E-NI M10	1	0.03
5	3300533	SPRING	18/45/7.6/6.88-1643 SF-TF3	1	0.02
6	3010604	ALLEN SCREW	M12X20 8.8 DIN 912	1	0
7	3090901	CONNECTOR	Ø10-Ø6-Ø6	4	0.05
8	3110040	JUST-SEAL	R-Ø4 8 3/8"	4	0
100	3133273	HYDRAULIC HOSE	A50005-06-06/241T-06/A50005-06-06/L=830/TEX	1	0



28950001 SYLINTERI

VARAOSAT \ RESERVDLAR \ SPARE PARTS \ ERSATZTEIL

12.9.2013 10:09 Page 1/2

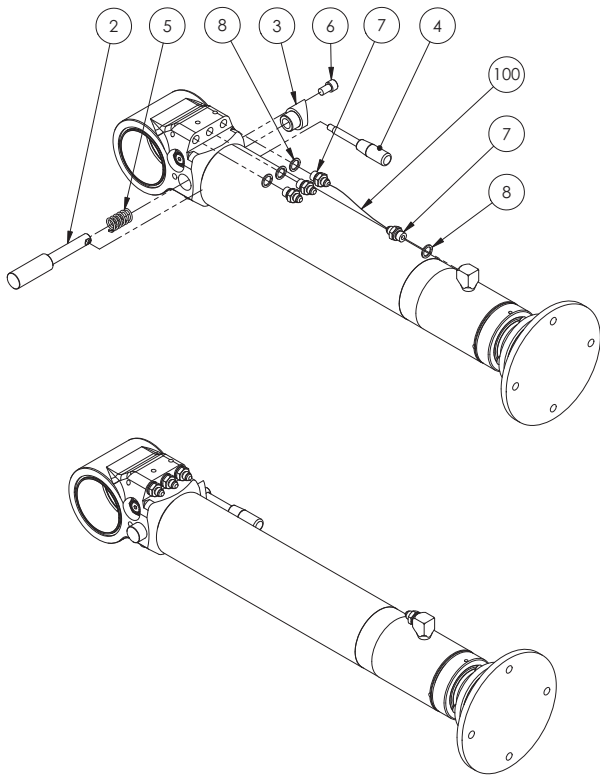


SPARE PART LIST

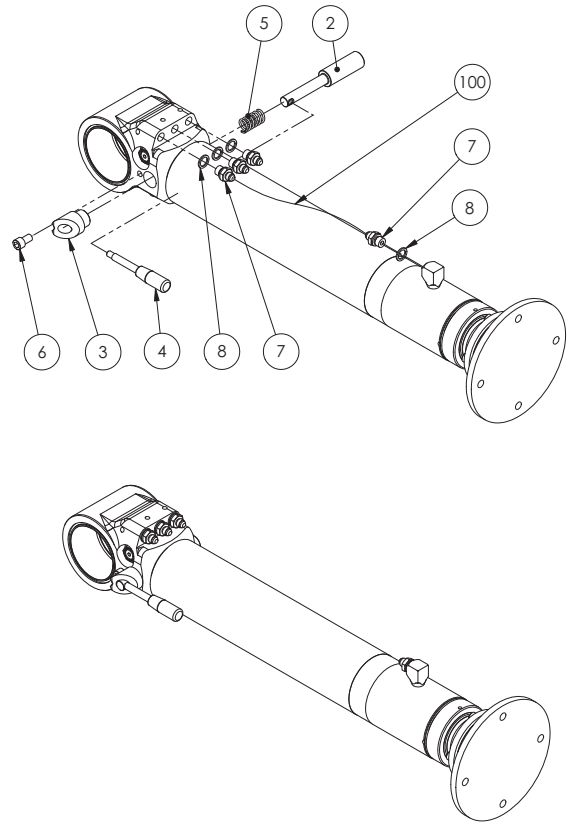
Item code	28950001	Revision	-
Title	CYLINDER	Date	13.02.2013
Specification	90/70X720		

Pos	Item code	Title	Specification	Pc	Nfo Weight
1	3110025	PISTON SEAL	DAS 90/70X22	1	0.5
2	3110017	O-RING	84.5X3 90 SHORE	1	0.02
3	3110258	O-RING	42.2X3 90 SHORE	1	0.01
4	3110184	ROD SEAL	B 70/85X12 POLYPAC BALSELE	1	0.17
5	3110196	WIPER SEAL	GA 70/80X7/10	1	0.07
6	3110397	PISTON GUIDE	E/PWR 90/84X13	2	0.08
7	28949101	CYLINDER BARREL	90/70X720	1	34.35
8	28949302	PISTON ROD	70-893	1	17.04
9	28942201	PISTON	90	1	2.46
10	28554105	SLEEVE	ISKURAJOITINHOLKKI	1	0.96
11	28358202	GUIDANCE	90/70	1	2.42
12	28944401	AXLE	60/M47	1	1.9
13	28861106	BASE		1	5.55
14	28861107	COVER		1	1.07
15	3100428	BEARING	NIVELLAAKERIN PALLO GEF 60 ES	1	1.14
16	3010970	ALLEN SCREW	M10X35 12.9 DIN 912	4	0
17	3100344	BUSHING	WB 802 10060	2	0.38
18	3120843	VALVE		1	0.13
19	3050003	GREASE NIPPLE	M8X1,25 DIN 71412	4	0
20	3090211	PLUG		1	0.02
1-6	3111025	SEAL KIT	90/70	1	

90025869
100/80x500 LEFT (ADJUSTABLE FOOT)



90025868
100/80x500 RIGHT (ADJUSTABLE FOOT)



SPARE PART LIST

Item code	90025869	Revision	-
Title	STABILIZER	Date	13.11.2012
Specification	100/80X500 LEFT (ADJUSTABLE FOOT)		

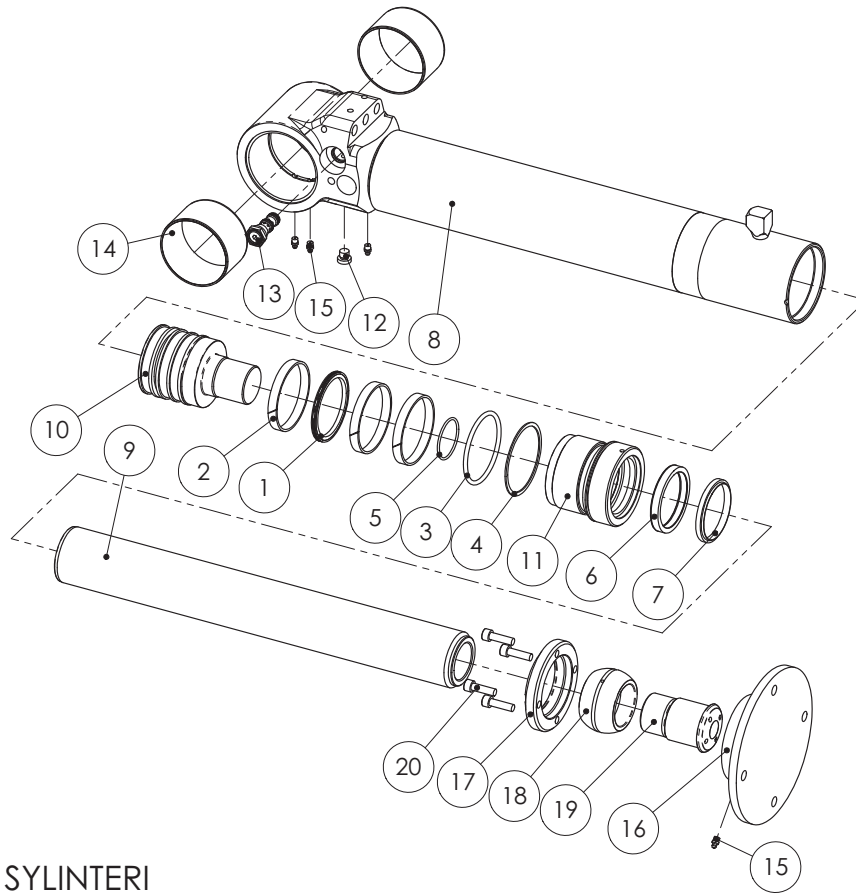
Pos	Item code	Title	Specification	Pc	Nto Weight
1	28933001	CYLINDER	100/80X500	1	64.79
2	90025017	SPINDLE	30/18-179	1	0.63
3	90025018	SLEEVE		1	0.26
4	3301574	LEVER	GN 310-12-125-E-NI M10	1	0.03
5	3300533	SPRING	18/45/7.6/6.88-1643 SF-TF3	1	0.02
6	3010604	ALLEN SCREW	M12X20 8.8 DIN 912	1	0
7	3090901	CONNECTOR	Ø10-Ø6-Ø6	4	0.05
8	3110040	JUST-SEAL	R-Ø4 R 3/8"	4	0
100	3133257	HYDRAULIC HOSE	A50005-06-06/241T-06/A50005-06-06/L=570/TEX	1	



SPARE PART LIST

Item code	90025868	Revision	-
Title	STABILIZER	Date	13.11.2012
Specification	100/80X500 RIGHT (ADJUSTABLE FOOT)		

Pos	Item code	Title	Specification	Pc	Nto Weight
1	28933001	CYLINDER	100/80X500	1	64.79
2	90025017	SPINDLE	30/18-179	1	0.63
3	90025018	SLEEVE		1	0.26
4	3301574	LEVER	GN 310-12-125-E-NI M10	1	0.03
5	3300533	SPRING	18/45/7.6/6.88-1643 SF-TF3	1	0.02
6	3010604	ALLEN SCREW	M12X20 8.8 DIN 912	1	0
7	3090901	CONNECTOR	Ø10-Ø6-Ø6	4	0.05
8	3110040	JUST-SEAL	R-Ø4 R 3/8"	4	0
100	3133257	HYDRAULIC HOSE	A50005-06-06/241T-06/A50005-06-06/L=570/TEX	1	



28933001 SYLINTERI

VARAOSAT \ RESERVDLAR \ SPARE PARTS \ ERSATZTEIL

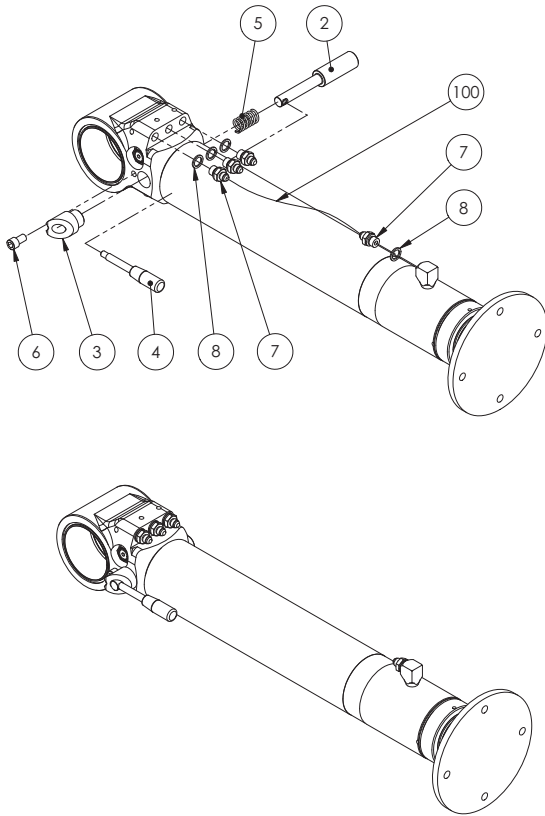


SPARE PART LIST

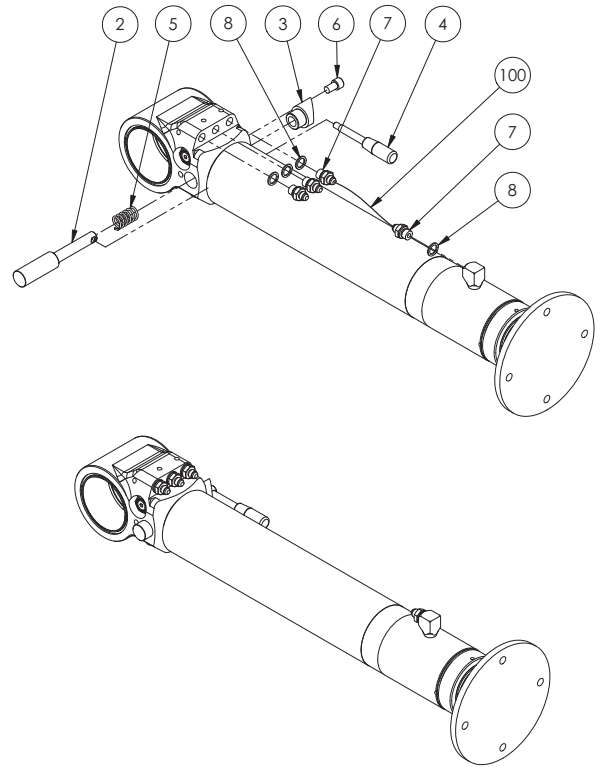
Item code	28933001	Revision	-
Title	CYLINDER	Date	16.10.2012
Specification	100/80X500		

Pos	Item code	Title	Specification	Pc	Nfo Weight
1	3110821	PISTON SEAL	300 100/84.5X6.3	1	0.1
2	3110072	PISTON GUIDE	E/PWR 100/94X13	3	0.09
3	3111009	O-RING	94.1X5.7 90 SHORE	1	0.01
4	3111010	SUPPORTING RING	95/105X1.7 PU	1	0
5	3110029	O-RING	54.5X3 90 SHORE	1	0.01
6	3110251	ROD SEAL	NI 300 80/95X12	1	0.16
7	3110111	WIPER SEAL	GA 80/90X7/10	1	0.08
8	28932101	CYLINDER BARREL	100/80X500	1	30.93
9	28932302	PISTON ROD	80	1	14.53
10	28894201	PISTON	100	1	5.26
11	28894202	GUIDANCE	100/80	1	2.67
12	3090211	PLUG		1	0.02
13	3120843	VALVE		1	0.13
14	3100344	BUSHING	WB 802 10060	2	0.38
15	3050003	GREASE NIPPLE	M8X1.25 DIN 71412	4	0
16	28861106	BASE		1	5.55
17	28861107	COVER		1	1.07
18	3100428	BEARING	NIVELLAAKERIN PALLO GEF 60 ES	1	1.14
19	28894401	AXLE	60/M55	1	2.1
20	3010970	ALLEN SCREW	M10X35 12.9 DIN 912	4	0
1-7	3111011	SEAL KIT	100/80	1	

90025864
100/80x500 RIGHT (FIXED FOOT)



90025865
100/80x500 LEFT (FIXED FOOT)



SPARE PART LIST

Item code	90025864	Revision	-
Title	STABILIZER	Date	13.11.2012
Specification	100/80X500 RIGHT (FIXED FOOT)		

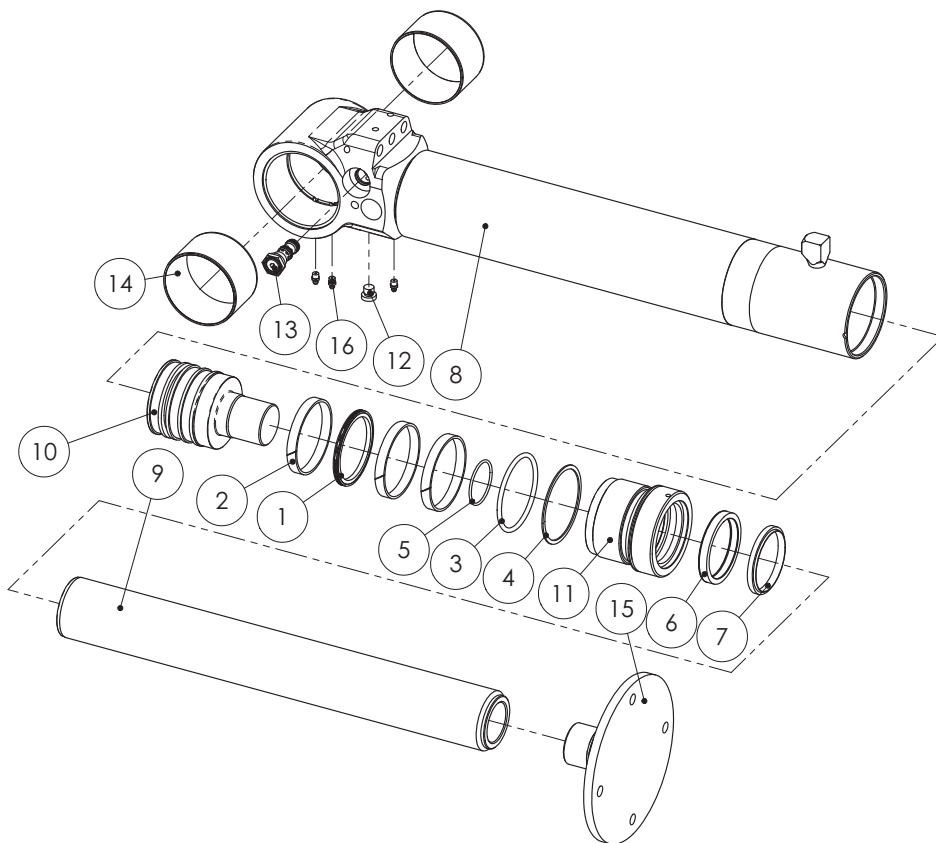
Pos	Item code	Title	Specification	Pc	Nto Weight
1	28932001	CYLINDER	100/80X500	1	61.2
2	90025017	SPINDLE	30/18-179	1	0.63
3	90025018	SLEEVE		1	0.26
4	3301574	LEVER	GN 310-12-125-E-NI M10	1	0.03
5	3300533	SPRING	18/45/7.6/6.88-1643 SF-TF3	1	0.02
6	3010604	ALLEN SCREW	M12X20 8.8 DIN 912	1	0
7	3090901	CONNECTOR	Ø10-Ø6-Ø6	4	0.05
8	3110040	JUST-SEAL	R-Ø4 R 3/8"	4	0
100	3133257	HYDRAULIC HOSE	A50005-06-06/241T-06/A50005-06-06/L=570/TEX	1	



SPARE PART LIST

Item code	90025865	Revision	-
Title	STABILIZER	Date	13.11.2012
Specification	100/80X500 LEFT (FIXED FOOT)		

Pos	Item code	Title	Specification	Pc	Nto Weight
1	28932001	CYLINDER	100/80X500	1	61.2
2	90025017	SPINDLE	30/18-179	1	0.63
3	90025018	SLEEVE		1	0.26
4	3301574	LEVER	GN 310-12-125-E-NI M10	1	0.03
5	3300533	SPRING	18/45/7.6/6.88-1643 SF-TF3	1	0.02
6	3010604	ALLEN SCREW	M12X20 8.8 DIN 912	1	0
7	3090901	CONNECTOR	Ø10-Ø6-Ø6	4	0.05
8	3110040	JUST-SEAL	R-Ø4 R 3/8"	4	0
100	3133257	HYDRAULIC HOSE	A50005-06-06/241T-06/A50005-06-06/L=570/TEX	1	



28932001 SYLINTERI

VARAOSAT \ RESERVDELAR \ SPARE PARTS \ ERSATZTEIL

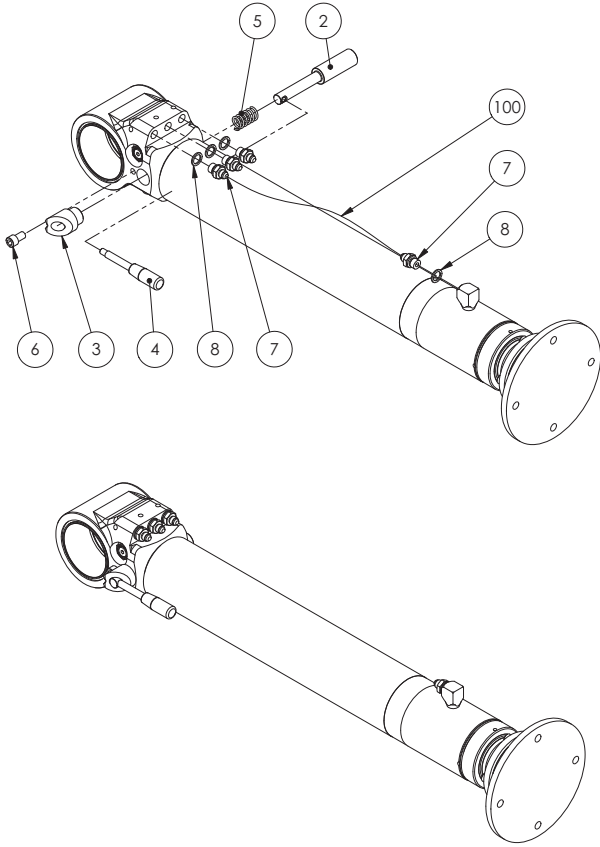


SPARE PART LIST

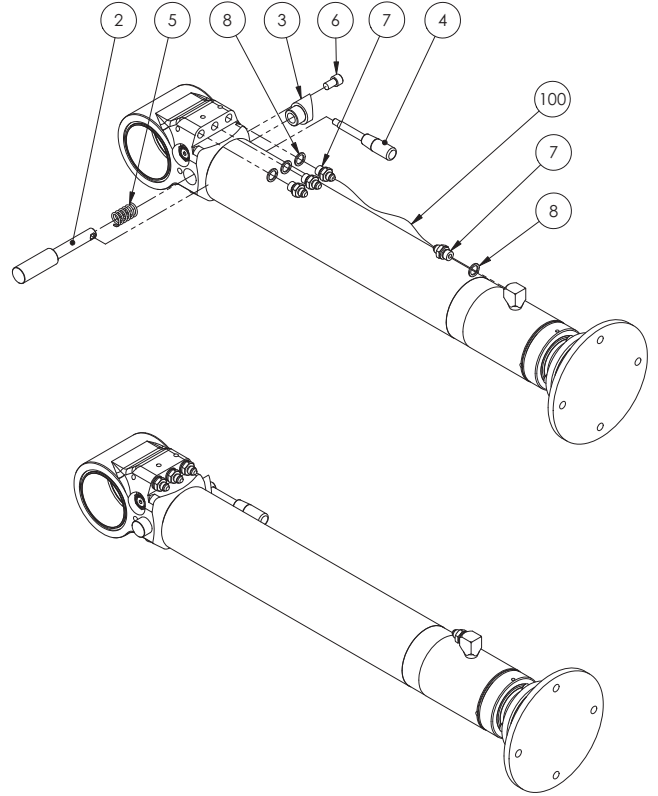
Item code	28932001	Revision	-
Title	CYLINDER	Date	16.10.2012
Specification	100/80X500		

Pos	Item code	Title	Specification	Pc	Nfo Weight
1	3110821	PISTON SEAL	300 100/84.5X6.3	1	0.1
2	3110072	PISTON GUIDE	E/PWR 100/94X13	3	0.09
3	3111009	O-RING	94.1X5.7 90 SHORE	1	0.01
4	3111010	SUPPORTING RING	95/105X1.7 PU	1	0
5	3110029	O-RING	54.5X3 90 SHORE	1	0.01
6	3110251	ROD SEAL	NI 300 80/95X12	1	0.16
7	3110111	WIPER SEAL	GA 80/90X7/10	1	0.08
8	28932101	CYLINDER BARREL	100/80X500	1	30.93
9	28932302	PISTON ROD	80	1	14.53
10	28894201	PISTON	100	1	5.26
11	28894202	GUIDANCE	100/80	1	2.67
12	3090211	PLUG		1	0.02
13	3120843	VALVE		1	0.13
14	3100344	BUSHING	WB 802 10060	2	0.38
15	28901106	BASE	TUKIJALKA	1	6.27
16	3050003	GREASE NIPPLE	M8X1.25 DIN 71412	3	0
1-7	3111011	SEAL KIT	100/80	1	

90025345
100/80x600 RIGHT (ADJUSTABLE FOOT)



90025346
100/80x600 LEFT (ADJUSTABLE FOOT)



SPARE PART LIST

Item code	90025345	Revision	-
Title	STABILIZER	Date	08.02.2012
Specification	100/80X600 RIGHT (ADJUSTABLE FOOT)		

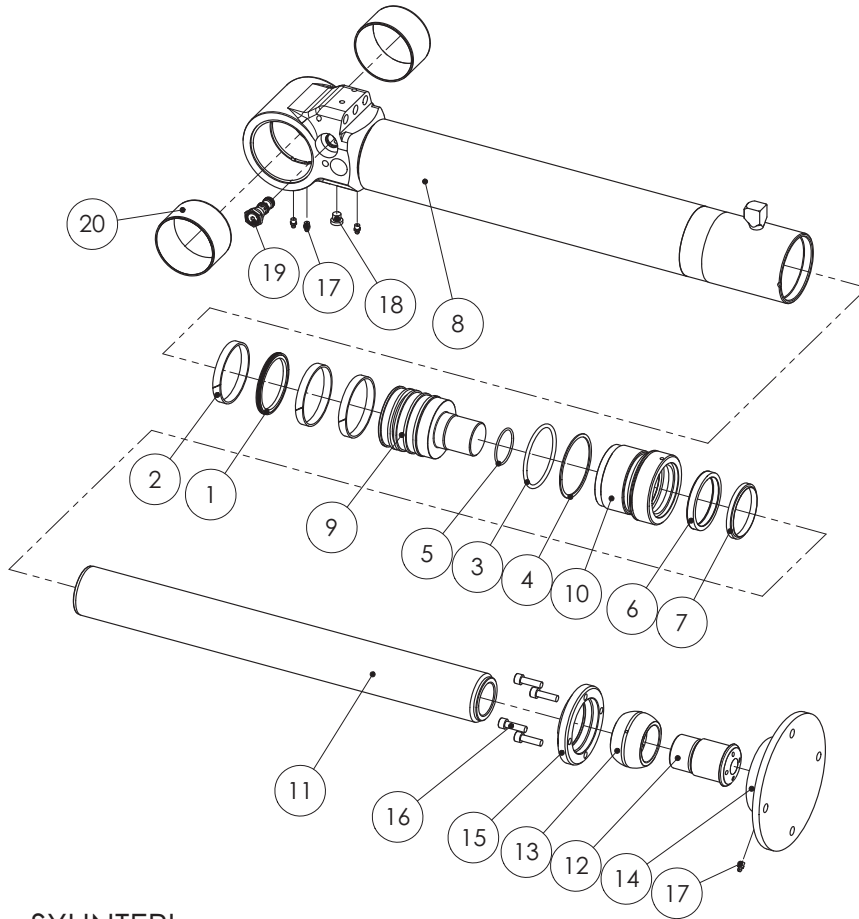
Pos	Item code	Title	Specification	Pc	Nto Weight
1	28894001	CYLINDER	100/80X600	1	69.07
2	90025017	SPINDLE	30/18-179	1	0.63
3	90025018	SLEEVE		1	0.26
4	3301574	LEVER	GN 310-12-125-E-NI M10	1	0.03
5	3300533	SPRING	18/45/7.6/6.88-1643 SF-TF3	1	0.02
6	3010604	ALLEN SCREW	M12X20 8.8 DIN 912	1	0
7	3090901	CONNECTOR	Ø10-Ø6-Ø6	4	0.05
8	3110040	JUST-SEAL	R-Ø4 R 3/8"	4	0
100	3133057	HYDRAULIC HOSE	A50005-06-06/241T-06/A50005-06-06/L=670/TEX	1	



SPARE PART LIST

Item code	90025346	Revision	-
Title	STABILIZER	Date	08.02.2012
Specification	100/80X600 LEFT (ADJUSTABLE FOOT)		

Pos	Item code	Title	Specification	Pc	Nto Weight
1	28894001	CYLINDER	100/80X600	1	69.07
2	90025017	SPINDLE	30/18-179	1	0.63
3	90025018	SLEEVE		1	0.26
4	3301574	LEVER	GN 310-12-125-E-NI M10	1	0.03
5	3300533	SPRING	18/45/7.6/6.88-1643 SF-TF3	1	0.02
6	3010604	ALLEN SCREW	M12X20 8.8 DIN 912	1	0
7	3090901	CONNECTOR	Ø10-Ø6-Ø6	4	0.05
8	3110040	JUST-SEAL	R-Ø4 R 3/8"	4	0
100	3133057	HYDRAULIC HOSE	A50005-06-06/241T-06/A50005-06-06/L=670/TEX	1	



28894001 SYLINTERI

VARAOSAT \ RESERVDELAR \ SPARE PARTS \ ERSATZTEIL

12.9.2013 12:53 Page 1/2



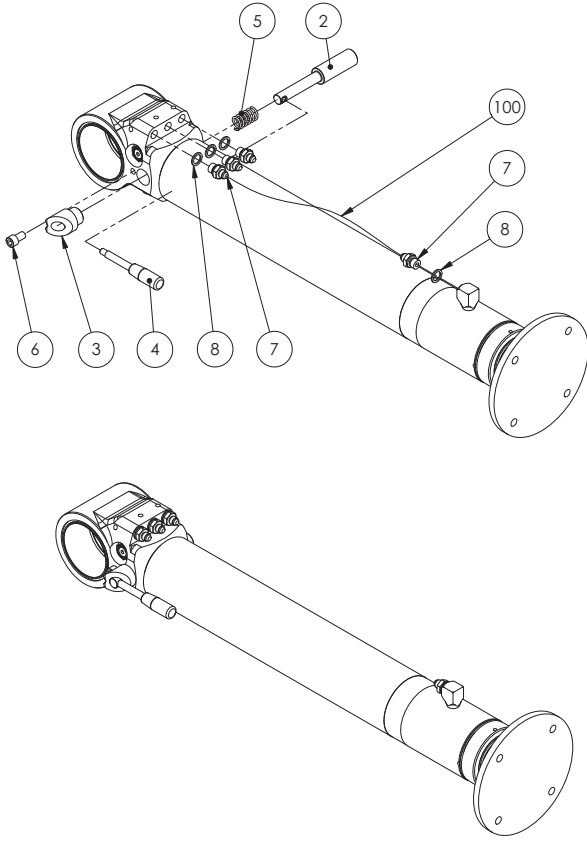
SPARE PART LIST

Item code	28894001	Revision	-
Title	CYLINDER	Date	29.08.2013
Specification	100/80X600		

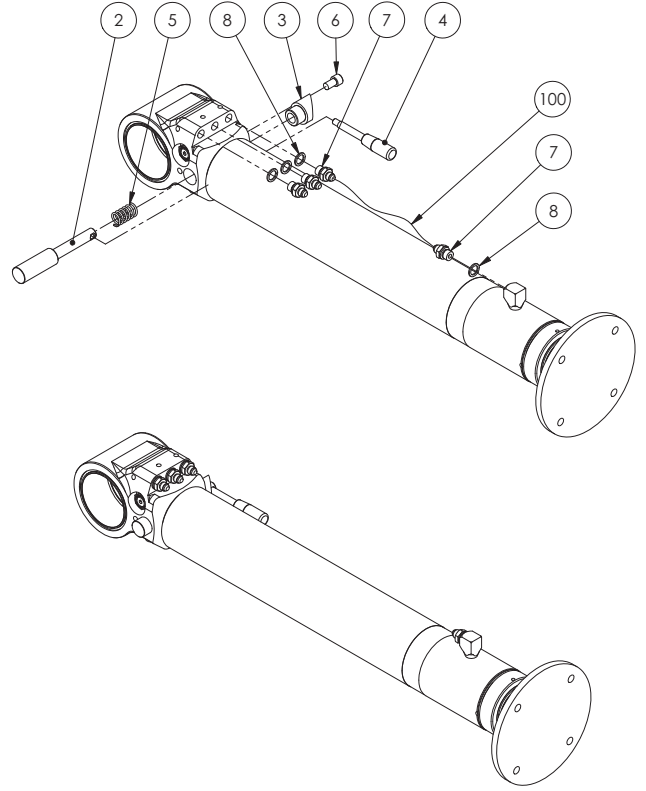
Pos	Item code	Title	Specification	Pc	Nto Weight
1	3110821	PISTON SEAL	300 100/84.5X6.3	1	0.1
2	3110072	PISTON GUIDE	E/PWR 100/94X13	3	0.09
3	3111009	O-RING	94.1X5.7 90 SHORE	1	0.01
4	3111010	SUPPORTING RING	95/105X1.7 PU	1	0
5	3110029	O-RING	54.5X3 90 SHORE	1	0.01
6	3110251	ROD SEAL	NI 300 80/95X12	1	0.16
7	3110111	WIPER SEAL	GA 80/90X7/10	1	0.08
8	28894101	CYLINDER BARREL	100/80X600	1	32.92
9	28894201	PISTON	100	1	5.26
10	28894202	GUIDANCE	100/80	1	2.67
11	28894302	PISTON ROD	80	1	16.93
12	28894401	AXLE	60/M55	1	2.1
13	3100428	BEARING	NIVELLAAKERIN PALLO GEF 60 ES	1	1.14
14	28861106	BASE		1	5.55
15	28861107	COVER		1	1.07
16	3010970	ALLEN SCREW	M10X35 12.9 DIN 912	4	0
17	3050003	GREASE NIPPLE	M8X1.25 DIN 71412	4	0
18	3090211	PLUG		1	0.02
19	3120843	VALVE		1	0.13
20	3100344	BUSHING	WB 802 10060	2	0.38
1-7	3111011	SEAL KIT	100/80	1	

12.9.2013 12:53 Page 2/2

90025719
100/80x600 RIGHT (FIXED FOOT)



90025720
100/80x600 LEFT (FIXED FOOT)



SPARE PART LIST

Item code	90025719	Revision	-
Title	STABILIZER	Date	06.09.2012
Specification	100/80X600 RIGHT (FIXED FOOT)		

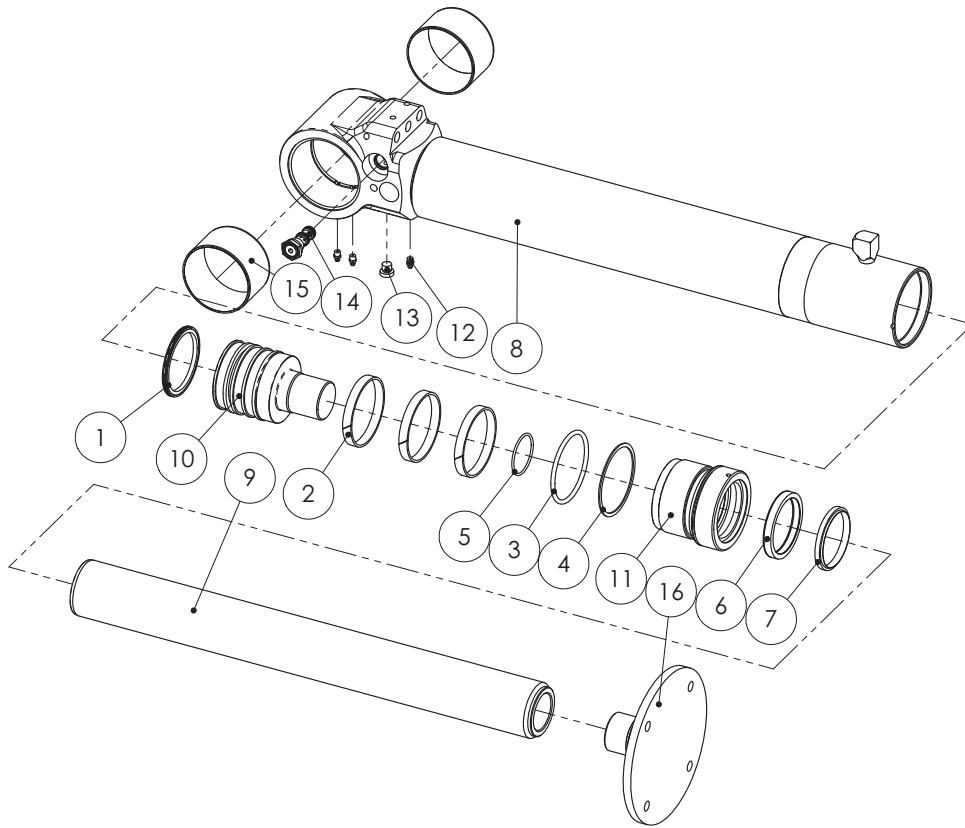
Pos	Item code	Title	Specification	Pc	Nto Weight
1	28901001	CYLINDER	100/80X600	1	65.59
2	90025017	SPINDLE	30/18-179	1	0.63
3	90025018	SLEEVE		1	0.26
4	3301574	LEVER	GN 310-12-125-E-NI M10	1	0.03
5	3300533	SPRING	18/45/7.6/6.88-1643 SF-TF3	1	0.02
6	3010604	ALLEN SCREW	M12X20 8.8 DIN 912	1	0
7	3090901	CONNECTOR	Ø10-Ø6-Ø6	4	0.05
8	3110040	JUST-SEAL	R-Ø4 R 3/8"	4	0
100	3133057	HYDRAULIC HOSE	A50005-06-06/241T-06/A50005-06-06/L=670/TEX	1	



SPARE PART LIST

Item code	90025720	Revision	-
Title	STABILIZER	Date	06.09.2012
Specification	100/80X600 LEFT (FIXED FOOT)		

Pos	Item code	Title	Specification	Pc	Nto Weight
1	28901001	CYLINDER	100/80X600	1	65.59
2	90025017	SPINDLE	30/18-179	1	0.63
3	90025018	SLEEVE		1	0.26
4	3301574	LEVER	GN 310-12-125-E-NI M10	1	0.03
5	3300533	SPRING	18/45/7.6/6.88-1643 SF-TF3	1	0.02
6	3010604	ALLEN SCREW	M12X20 8.8 DIN 912	1	0
7	3090901	CONNECTOR	Ø10-Ø6-Ø6	4	0.05
8	3110040	JUST-SEAL	R-Ø4 R 3/8"	4	0
100	3133057	HYDRAULIC HOSE	A50005-06-06/241T-06/A50005-06-06/L=670/TEX	1	



28901001 SYLINTERI

VARAOSAT \ RESERVDELAR \ SPARE PARTS \ ERSATZTEIL

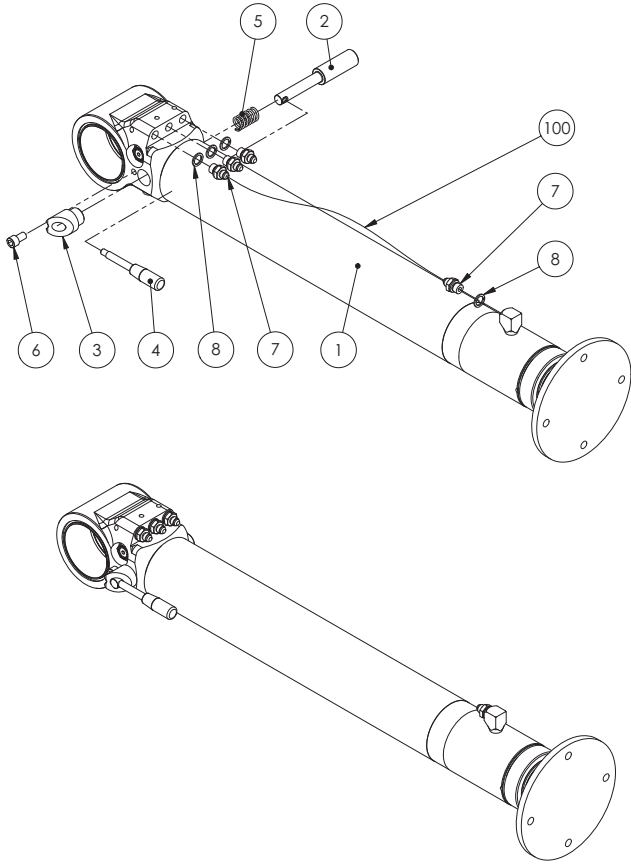


SPARE PART LIST

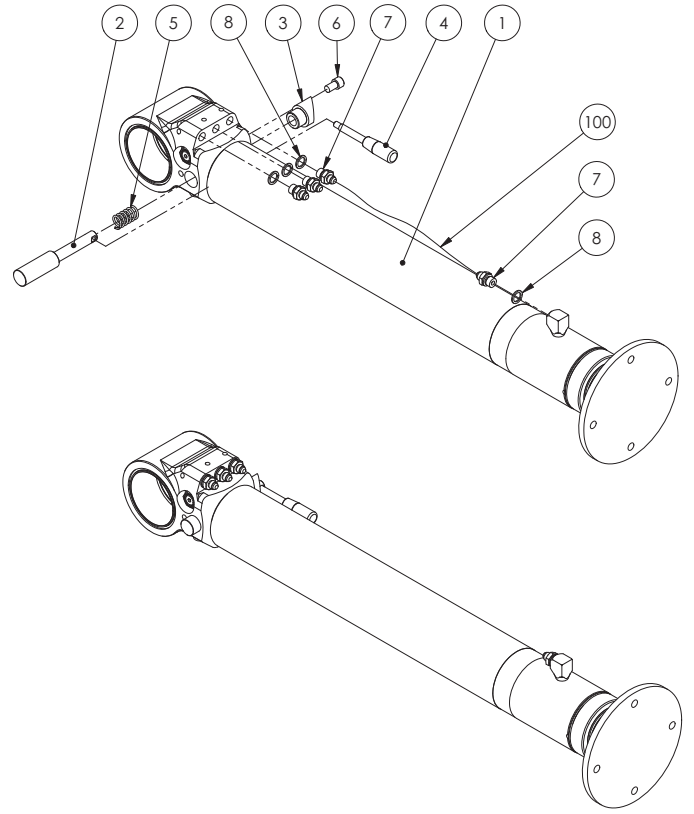
Item code	28901001	Revision	-
Title	CYLINDER	Date	13.04.2012
Specification	100/80X600		

Pos	Item code	Title	Specification	Pc	Nfo Weight
1	3110821	PISTON SEAL	300 100/84.5X6.3	1	0.1
2	3110072	PISTON GUIDE	E/PWR 100/94X13	3	0.09
3	3111009	O-RING	94.1X5.7 90 SHORE	1	0.01
4	3111010	SUPPORTING RING	95/105X1.7 PU	1	0
5	3110029	O-RING	54.5X3 90 SHORE	1	0.01
6	3110251	ROD SEAL	NI 300 80/95X12	1	0.16
7	3110111	WIPER SEAL	GA 80/90X7/10	1	0.08
8	28894101	CYLINDER BARREL	100/80X600	1	32.92
9	28894302	PISTON ROD	80	1	16.93
10	28894201	PISTON	100	1	5.26
11	28894202	GUIDANCE	100/80	1	2.67
12	3050003	GREASE NIPPLE	M8X1.25 DIN 71412	3	0
13	3090211	PLUG		1	0.02
14	3120843	VALVE		1	0.13
15	3100344	BUSHING	WB 802 10060	2	0.38
16	28901106	BASE	TUKIJALKA	1	6.27
1-7	3111011	SEAL KIT	100/80	1	

90025721
100/80x700 RIGHT (FIXED FOOT)



90025722
100/80x700 LEFT (FIXED FOOT)



SPARE PART LIST

Item code	90025721	Revision	-
Title	STABILIZER	Date	06.09.2012
Specification	100/80X700 RIGHT (FIXED FOOT)		

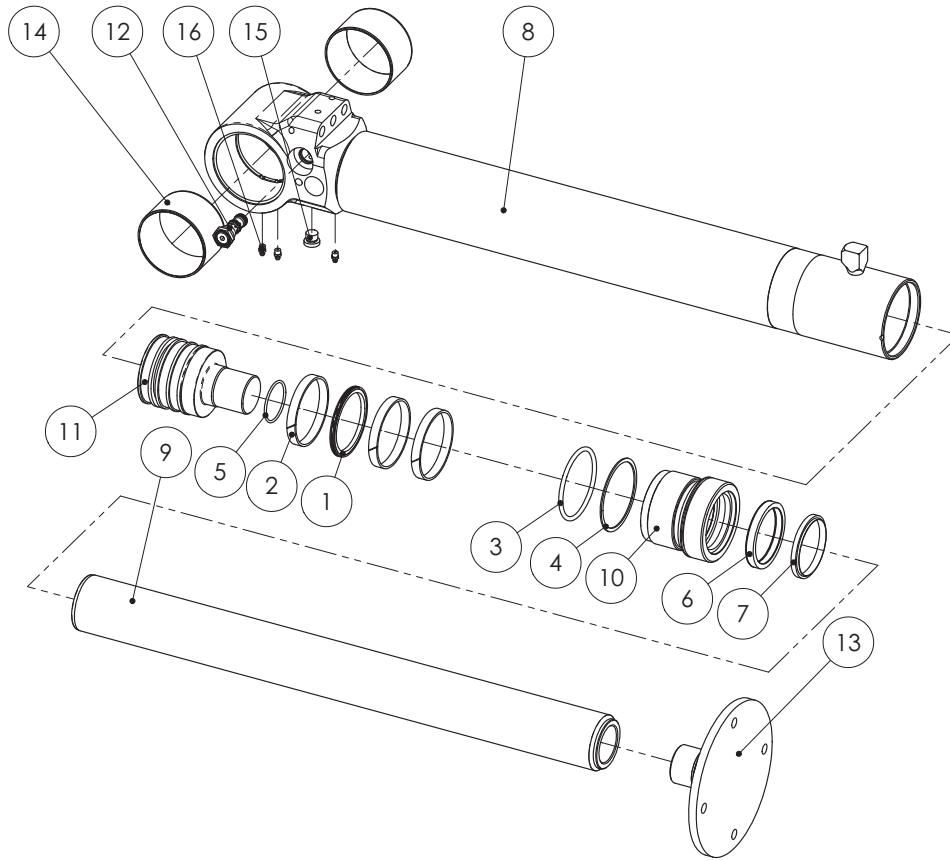
Pos	Item code	Title	Specification	Pc	Nto Weight
1	28929001	CYLINDER	100/80X700	1	70
2	90025017	SPINDLE	30/18-179	1	0.63
3	90025018	SLEEVE		1	0.26
4	3301574	LEVER	GN 310-12-125-E-NI M10	1	0.03
5	3300533	SPRING	18/45/7.6/6.88-1643 SF-TF3	1	0.02
6	3010604	ALLEN SCREW	M12X20 8.8 DIN 912	1	0
7	3090901	CONNECTOR	Ø10-Ø6-Ø6	4	0.05
8	3110040	JUST-SEAL	R-Ø4 R 3/8"	4	0
100	3133194	HYDRAULIC HOSE	A50005-06-06/241T-06/A50005-06-06/L=770/TEX	1	



SPARE PART LIST

Item code	90025722	Revision	-
Title	STABILIZER	Date	06.09.2012
Specification	100/80X700 LEFT (FIXED FOOT)		

Pos	Item code	Title	Specification	Pc	Nto Weight
1	28929001	CYLINDER	100/80X700	1	70
2	90025017	SPINDLE	30/18-179	1	0.63
3	90025018	SLEEVE		1	0.26
4	3301574	LEVER	GN 310-12-125-E-NI M10	1	0.03
5	3300533	SPRING	18/45/7.6/6.88-1643 SF-TF3	1	0.02
6	3010604	ALLEN SCREW	M12X20 8.8 DIN 912	1	0
7	3090901	CONNECTOR	Ø10-Ø6-Ø6	4	0.05
8	3110040	JUST-SEAL	R-Ø4 R 3/8"	4	0
100	3133194	HYDRAULIC HOSE	A50005-06-06/241T-06/A50005-06-06/L=770/TEX	1	



28929001 SYLINTERI

VARAOSAT \ RESERVDELAR \ SPARE PARTS \ ERSATZTEIL

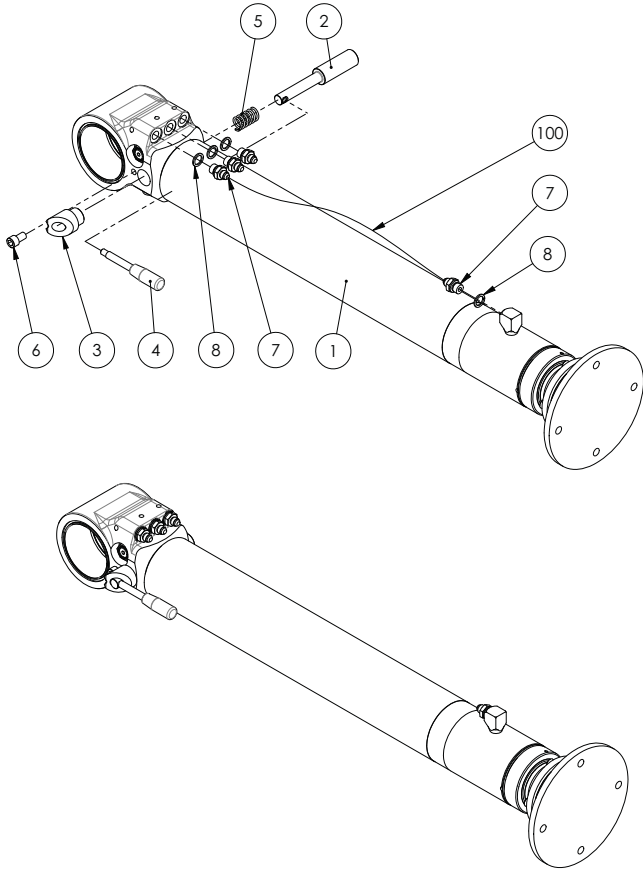


SPARE PART LIST

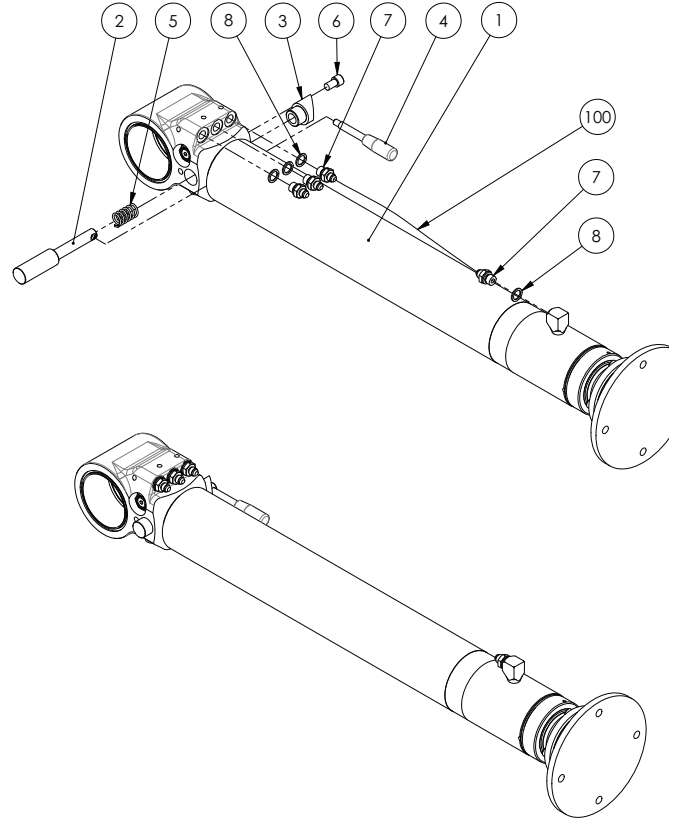
Item code	28929001	Revision	-
Title	CYLINDER	Date	05.09.2012
Specification	100/80X700		

Pos	Item code	Title	Specification	Pc	Nfo Weight
1	3110821	PISTON SEAL	300 100/84.5X6.3	1	0.1
2	3110072	PISTON GUIDE	E/PWR 100/94X13	3	0.09
3	3111009	O-RING	94.1X5.7 90 SHORE	1	0.01
4	3111010	SUPPORTING RING	95/105X1.7 PU	1	0
5	3110029	O-RING	54.5X3 90 SHORE	1	0.01
6	3110251	ROD SEAL	NI 300 80/95X12	1	0.16
7	3110111	WIPER SEAL	GA 80/90X7/10	1	0.08
8	28929101	CYLINDER BARREL	100/80X700	1	34.91
9	28929302	PISTON ROD	80/50-820	1	19.34
10	28894202	GUIDANCE	100/80	1	2.67
11	28894201	PISTON	100	1	5.26
12	3120843	VALVE		1	0.13
13	28901106	BASE	TUKIJALKA	1	6.27
14	3100344	BUSHING	WB 802 10060	2	0.38
15	3090210	PLUG		1	0.03
16	3050003	GREASE NIPPLE	M8X1.25 DIN 71412	3	0
1-7	3111011	SEAL KIT	100/80	1	

90025723
100/80x700 RIGHT (ADJUSTABLE FOOT)



90025724
100/80x700 LEFT (ADJUSTABLE FOOT)



SPARE PART LIST

Item code	90025723	Revision	-
Title	STABILIZER	Date	07.09.2012
Specification	90/70X700 RIGHT (ADJUSTABLE FOOT)		

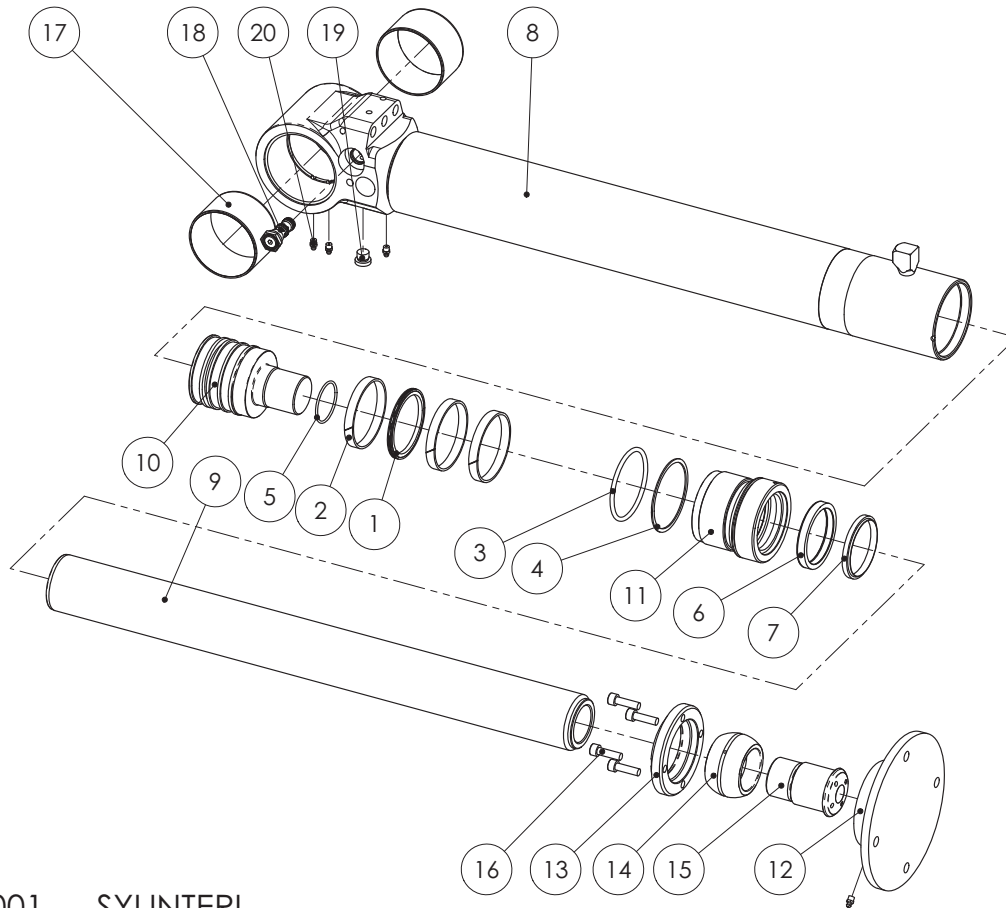
Pos	Item code	Title	Specification	Pc	Nto Weight
1	28930001	CYLINDER	100/80X700	1	73.59
2	90025017	SPINDLE	30/18-179	1	0.63
3	90025018	SLEEVE		1	0.26
4	3301574	LEVER	GN 310-12-125-E-NI M10	1	0.03
5	3300533	SPRING	18/45/7.6/6.88-1643 SF-TF3	1	0.02
6	3010604	ALLEN SCREW	M12X20 8.8 DIN 912	1	0
7	3090901	CONNECTOR	6010-06-06	4	0.05
8	3110040	JUST-SEAL	R-04 R 3/8"	4	0
100	3133194	HYDRAULIC HOSE	A50005-06-06/241T-06/A50005-06-06/L=770/TEX	1	



SPARE PART LIST

Item code	90025724	Revision	-
Title	STABILIZER	Date	07.09.2012
Specification	100/80X700 LEFT (ADJUSTABLE FOOT)		

Pos	Item code	Title	Specification	Pc	Nto Weight
1	28930001	CYLINDER	100/80X700	1	73.59
2	90025017	SPINDLE	30/18-179	1	0.63
3	90025018	SLEEVE		1	0.26
4	3301574	LEVER	GN 310-12-125-E-NI M10	1	0.03
5	3300533	SPRING	18/45/7.6/6.88-1643 SF-TF3	1	0.02
6	3010604	ALLEN SCREW	M12X20 8.8 DIN 912	1	0
7	3090901	CONNECTOR	6010-06-06	4	0.05
8	3110040	JUST-SEAL	R-04 R 3/8"	4	0
100	3133194	HYDRAULIC HOSE	A50005-06-06/241T-06/A50005-06-06/L=770/TEX	1	



28930001 SYLINTERI

VARAOSAT \ RESERVDELAR \ SPARE PARTS \ ERSATZTEIL



SPARE PART LIST

Item code	28930001	Revision	-
Title	CYLINDER	Date	05.09.2012
Specification	100/80X700		

Pos	Item code	Title	Specification	Pc	Nfo Weight
1	3110821	PISTON SEAL	300 100/84.5X6.3	1	0.1
2	3110072	PISTON GUIDE	E/PWR 100/94X13	3	0.09
3	3111009	O-RING	94.1X5.7 90 SHORE	1	0.01
4	3111010	SUPPORTING RING	95/105X1.7 PU	1	0
5	3110029	O-RING	54.5X3 90 SHORE	1	0.01
6	3110251	ROD SEAL	NI 300 80/95X12	1	0.16
7	3110111	WIPER SEAL	GA 80/90X7/10	1	0.08
8	28929101	CYLINDER BARREL	100/80X700	1	34.91
9	28929302	PISTON ROD	80/50-820	1	19.34
10	28894201	PISTON	100	1	5.26
11	28894202	GUIDANCE	100/80	1	2.67
12	28861106	BASE		1	5.55
13	28861107	COVER		1	1.07
14	3100428	BEARING	NIVELLAAKERIN PALLO GEF 60 ES	1	1.14
15	28894401	AXLE	60/M55	1	2.1
16	3010970	ALLEN SCREW	M10X35 12.9 DIN 912	4	0
17	3100344	BUSHING	WB 802 10060	2	0.38
18	3120843	VALVE		1	0.13
19	3090210	PLUG		1	0.03
20	3050003	GREASE NIPPLE	M8X1.25 DIN 71412	4	0
1-7	3111011	SEAL KIT	100/80	1	